

# FLOWSEAL

## Butterfly Valves Series VIA/MS



**CRANE**

# FLOWSEAL Butterfly Valves

## Series VIA/MS

High-quality process valves for demanding applications

### Areas of application

Decades of continuing development of the FLOWSEAL Butterfly Valves Series VIA/MS have enhanced their reputation for reliable shut-off and control throughout the process industries.

### Product features:

- Triple offset design
- Metal-to-metal sealing
- Leak tightness in both directions, leakage rate 1 acc. to DIN 3230
- Anti-Blow-out shaft
- Laminated seal, Stainless Steel / Graphite
- Body seat options in Stainless Steel or Stellite
- "Floating" disc
- Frictionless closure with no jamming
- Self-compensating in case of temperature changes
- Cycle testing of material combinations ensures no seizing of spindles in dry media

### Main areas of application:

- Mineral oils
- Chemical industry
- Gas industry
- Power plants
- District heating plants
- Steel industry
- Sugar industry
- Paper and pulp industry
- Refrigeration technology

### Applications:

- Steam / condensate
- Heating water
- Combustible media
- Oxygen
- Processing media
- Bitumen
- Hot gas and exhaust gas
- Low temperatures (cryogenics)
- Toxic media

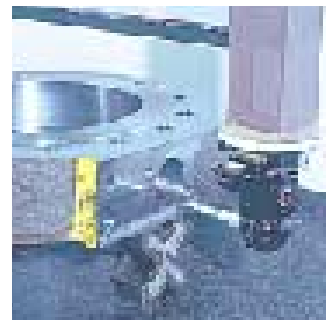
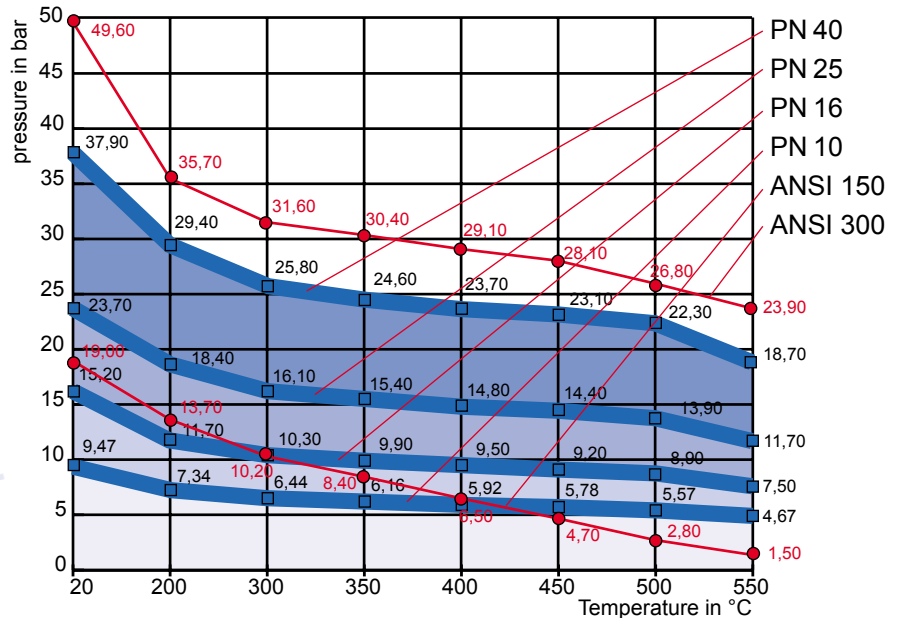




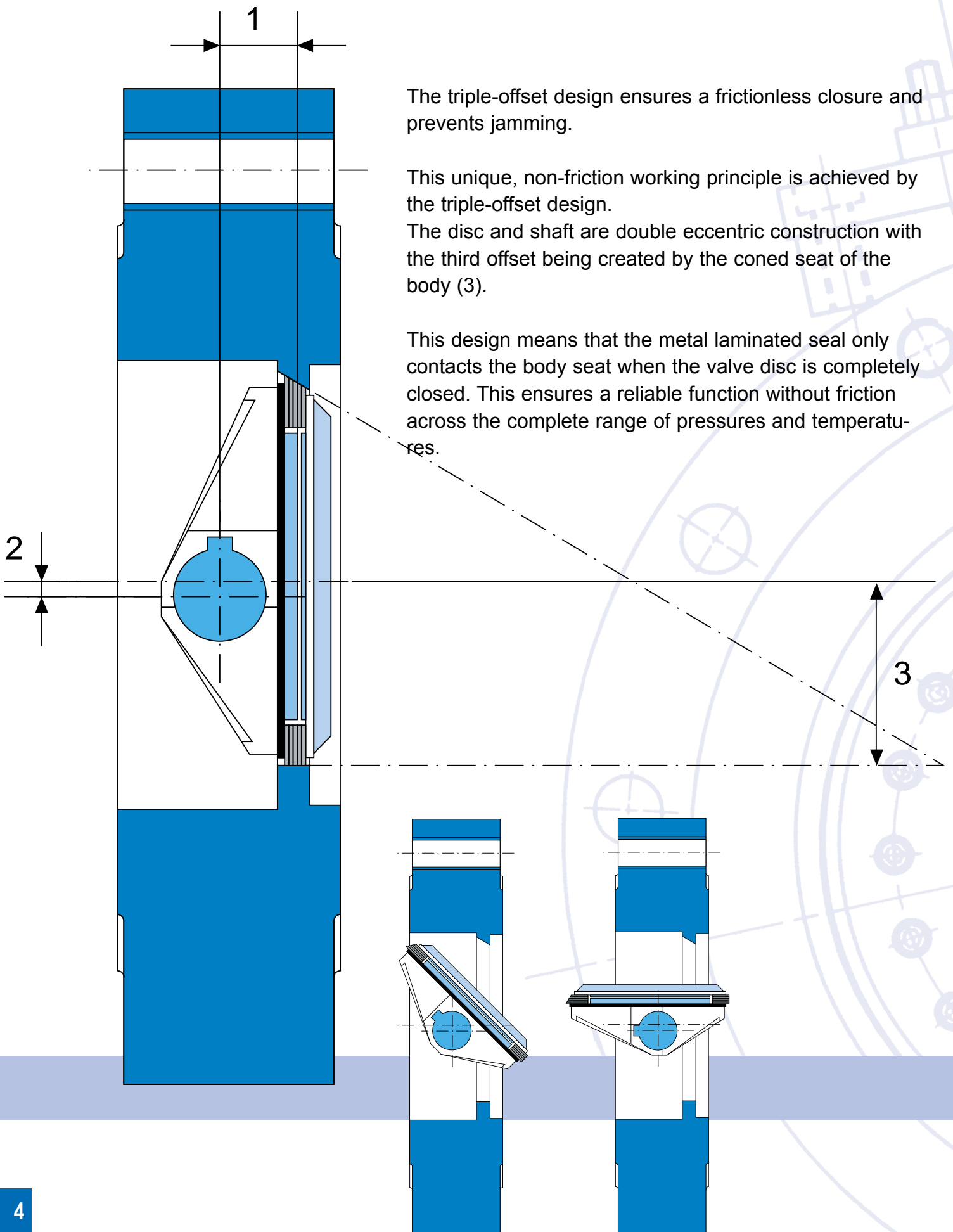
# For optimum performance over a wide range of pressures and temperatures

## Technical data:

The manufacturing range covers Butterfly Valves from DN 80 – 600, PN 10 - 40, ANSI 150/300 for temperatures ranging from -196 °C to +550 °C.



# Design features



The triple-offset design ensures a frictionless closure and prevents jamming.

This unique, non-friction working principle is achieved by the triple-offset design.

The disc and shaft are double eccentric construction with the third offset being created by the coned seat of the body (3).

This design means that the metal laminated seal only contacts the body seat when the valve disc is completely closed. This ensures a reliable function without friction across the complete range of pressures and temperatures.

### Self-compensation in case of temperature changes

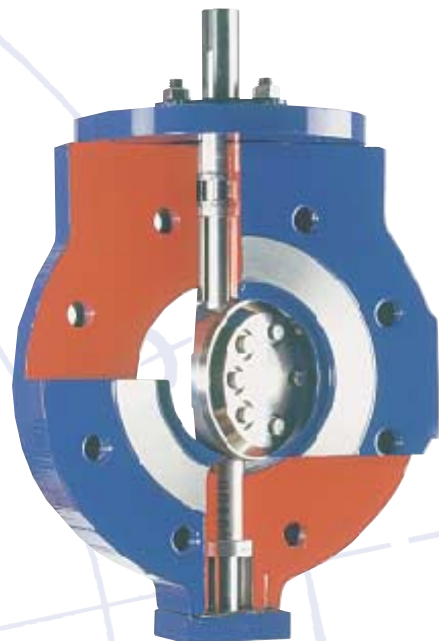
The special design for arrangement of bearings of the disc ensures that the disc is always correctly positioned, without any fastening devices. The unique design of the "floating" disc ensures a leaktight seal, even under extreme temperature fluctuations.

The "floating" disc allows the multi-disc seal to adapt itself to the housing seat, even if the spindle expands or contracts under changing temperatures. The lamination therefore always finds its ideal position and ensures reliable sealing without friction and wear.

### Material matching for dry media



Specially designed and extensively tested materials for the shaft and bearings allow high cycling duties at temperatures greater than 300°C to be accommodated without seizure.



Due to their special design and excellent operating characteristics FLOWSEAL Butterfly Valves Series VIA/MS are an economical replacement for globe valves, gate valves and ball valves.

#### FLOWSEAL Butterfly Valve Series VIA/MS



Construction length 76 mm  
Weight 55 kg

#### Gate Valve



Construction length 350 mm  
Weight 95 kg

#### Globe Valve



Construction length 480 mm  
Weight 90 kg

# Versions available

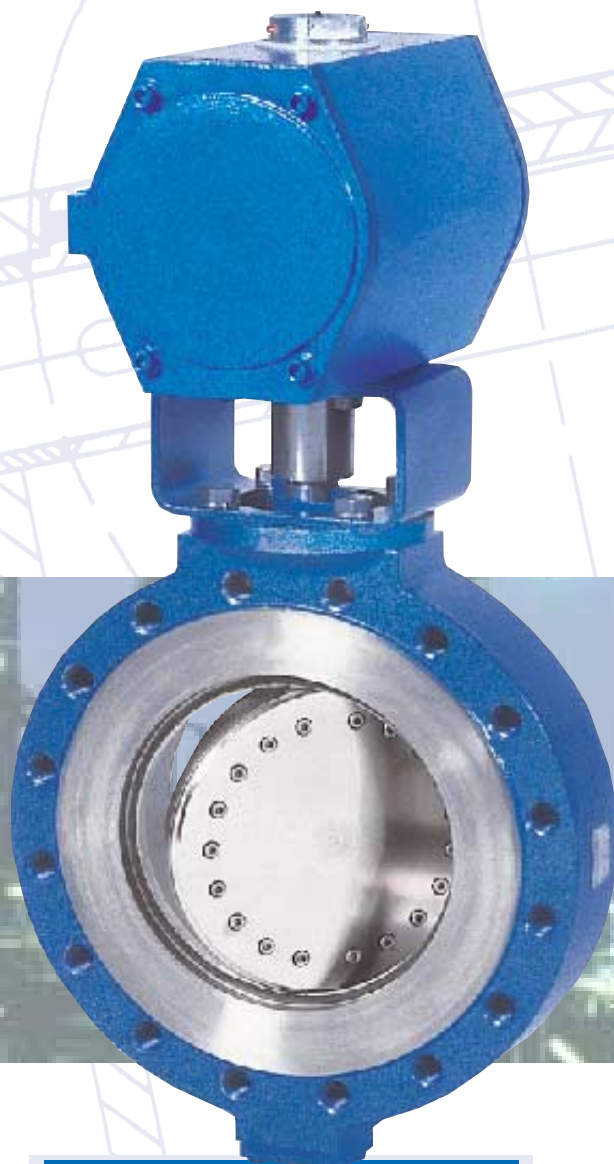
In contrast to other valve designs FLOWSEAL Butterfly Valves Series VIA/MS have extremely low torques. This allows the selection of smaller actuators resulting in lower initial purchase and whole life costs.



**Model GG**  
**Double flange**  
**Gate Valve replacement**  
**DN 80 - 600 (3" - 24")**

GG: ANSI B16.10  
ANSI 150 - 300

other pressure ranges on request



**Model GA / GE**  
**Lug type**  
**DN 80 - 600 (3" - 24")**

GA: API 609-Tab 2  
ANSI 150 - 300

GE: EN 558-1, Series 16  
PN 10, 16, 25, 40

other pressure ranges on request

# Standards considered



**Model GI / GF  
Double flange  
DN 80 - 600 (3" - 24")**

GI: ISO 5752-Tab 4 short  
ANSI 150 - 300

GF: EN 558-1, Series 13  
PN 10, 16, 25, 40

other pressure ranges on request

Design:	ASME SEC VIII, ASME SEC III ANSI B31.1, ANSI B31.3, ANSI B16.34 API 609 TRD 110, DIN 3840
Face to Face :	ISO 5752 API 609 EN 558-1 (prev. DIN 3202-K3/F16) MSS-SP-69
Flange connection:	ANSI B 16.5, CL 150 – 300 ANSI / ASME B16.47, MSS SP-44, CL 150 – 300 DIN 2501, ISO 7005, PN 10, 16, 25, 40
Testing:	BS 6755 leak rate A API 598 ANSI / FCI 70-2 class VI DIN 3230 leak rate 1
Fire-Safe Testing:	API 607 4th edition (no leak to both flow directions)
TA – Air certificate:	Testing of the equivalence of the spindle seal by means of a packing gland in comparison with a seal consisting of bellows and an additional safety packing gland.
Marking:	EN 19 MSS SP-25 CE-Tag acc. PED 97/23 EG
Quality assurance:	DIN / ISO 9001





**Crane Process Flow Technologies GmbH**

P.O.-Box 11 12 40  
D-40512 Düsseldorf  
Heerdter Lohweg 63-71  
D-40549 Düsseldorf  
Phone +49 211 5956-0  
Fax +49 211 5956-111

