

# 180 Series Free Floating Lever Drain Traps

All Stainless Steel for Horizontal Installation  
For pressures to 28 bar . . . Capacities to 900 kg/h



Armstrong's stainless steel, free-floating guided lever drain traps use the same bodies, caps, lever mechanisms, valves and seats as Armstrong inverted bucket steam traps that have been proven in years of service. Elliptical floats and high leverage make it possible to open large orifices to provide adequate capacity for drain trap size and weight.

The hemispherical valve, seat and leverage of the 180-LD and 181-LD stainless steel traps are identical in design, materials and workmanship to those for saturated steam service up to 39 bar, except that the 180 Series traps have a guidepost to ensure a positive, leak-tight valve closing under all conditions. The 180 Series is designed for situations where mounting a drainer close to the floor is critical. A back vent connection is required.



Table LD-453-1. 180 Series List of Materials				
Model No.	Valve & Seat	Leverage System	Float	Body & Cap
180-LD	Stainless Steel			Sealed Stainless Steel 304L
181-LD				

Table LD-453-2. Physical Data (dimensions in mm) Armstrong 180 Series Free Floating Lever Drain Traps		
Pipe Connections	15	20
"A" Diameter	68	68
"B" Height	135	167
"C" Face to Face	110	110
"D" Bottom to $\varnothing$ Inlet	113	141
Weight in kg	0,8	1,1

All models comply with the article 3.3 of the PED (97/23/EC).

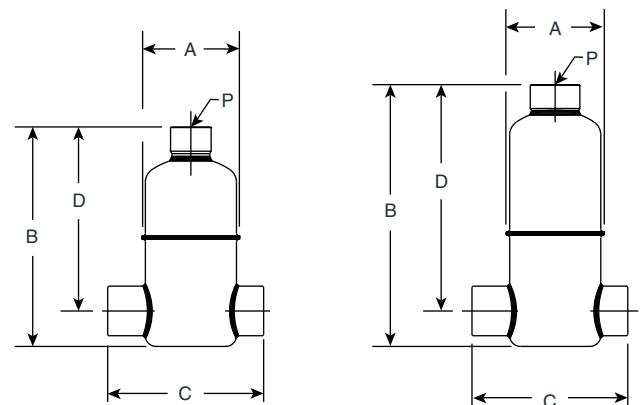
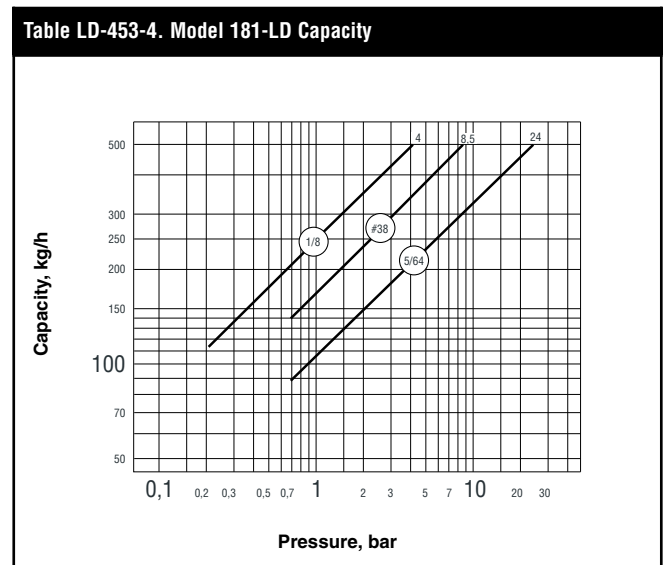
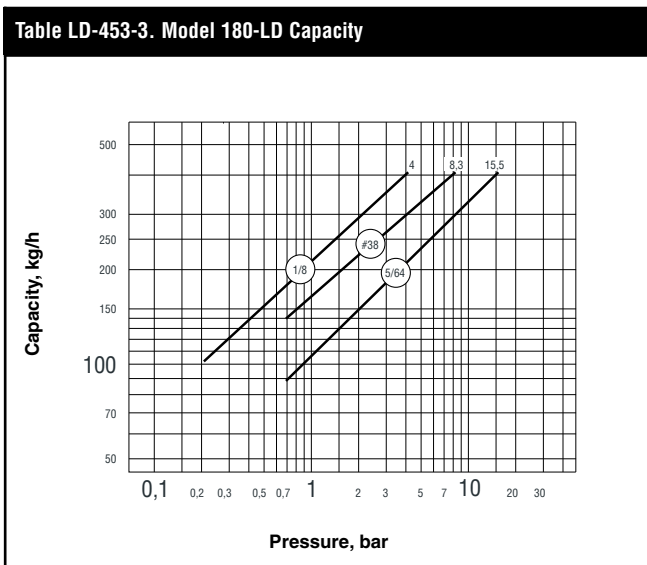


Figure LD-35.  
Model 180-LD

Figure LD-36.  
Model 181-LD



Liquid Drainers

All dimensions and weights are approximate. Use certified print for exact dimensions. Design and materials are subject to change without notice.