

Butterfly Valve - Wafer Type



Features

- DN 50 to DN 450, PN 10 & PN 16
- Temperature Range - 34°C to 150°C
- No part in contact with fluid except disc and liner
- Self lubricated bushes
- Neck flange according to ISO:5211
- Direct Actuator mountable design
- Design reference IS:13095 & BS:5155
- Neck height to accommodate insulation
- Lugs on body make them suitable for using at the end of line
- Suitable for actuator & gear mountings
- 100% leak tight design
- Available in lever type and clutch type handles

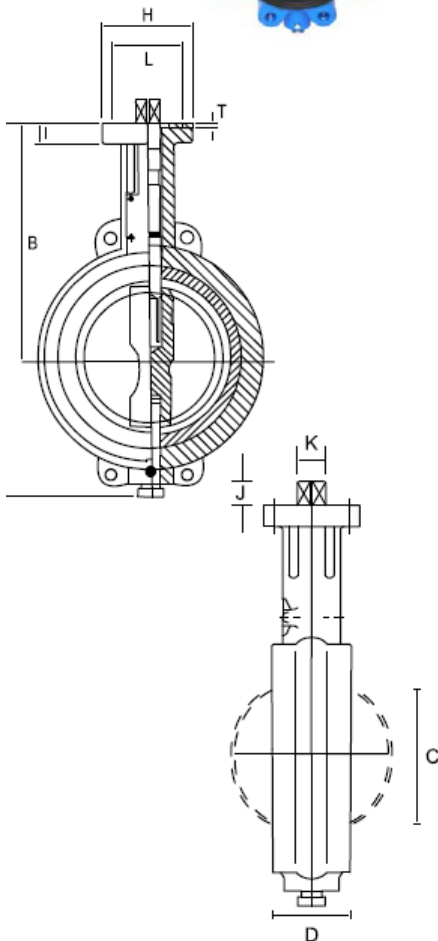
Applications

Paper & Pulp Industry, Waste & Effluent Treatment Plants, Water Treatment, Chemical & Sugar Industry, Fire Fighting, Drilling Rigs, Heating & Air Conditioning, Cooling Water Circulation, Compressed Air, Civil Constructions & numerous other

Composition

Sno.	Components	Material
1	Body	Cast Iron, SG Iron (Ductile), Cast Carbon Steel, Stainless Steel, Bronze
2	Disc	SG Iron (Ductile), Stainless Steel
3	Liner	Nitrile, Neoprene, EPDM, Silicon, Buna N
4	Upper & Lower Stem	Stainless Steel AISI 410, AISI 304
5	Bushing	Teflon or Nylon
6	O Rings	Nitrile
7	Circlips	Spring Steel

Dimensions



Sizes		Dimensions of Mounting Flange (in mm)										
Inches	mm	A	B	C	D	∅H	I	J	□K	∅L	Holes	Dia.
1-1/2	40	210	138	38	32	65	14	30	12.5	50	4	7
2	50	235	154	49	42	65	17	16	14	50	4	7
2-1/2	65	253	164	63	44	65	17	16	14	50	4	7
3	80	268	172	79	44	65	17	16	14	50	4	7
4	100	286	180	103	50	65	17	16	14	50	4	7
5	125	318	192	125	56	90	17	17	17	70	4	9
6	150	363	210	154	56	90	17	17	17	70	4	9
8	200	454	276	201	60	90	19	17	17	70	4	9
10	250	545	306	253	68	125	22	25	22	102	4	11
12	300	593	331	300	78	125	22	25	22	102	4	11
14	350	670	393	357	92	175	25	36	25	140	4	18
16	400	694	409	385	102	175	25	36	25	140	4	18
18	450	743	434	437	114	175	25	36	25	140	4	18

Suggested Operation - For PN10 & PN16 - Upto 150mm Hand Lever, Over 150mm Gear or Actuator