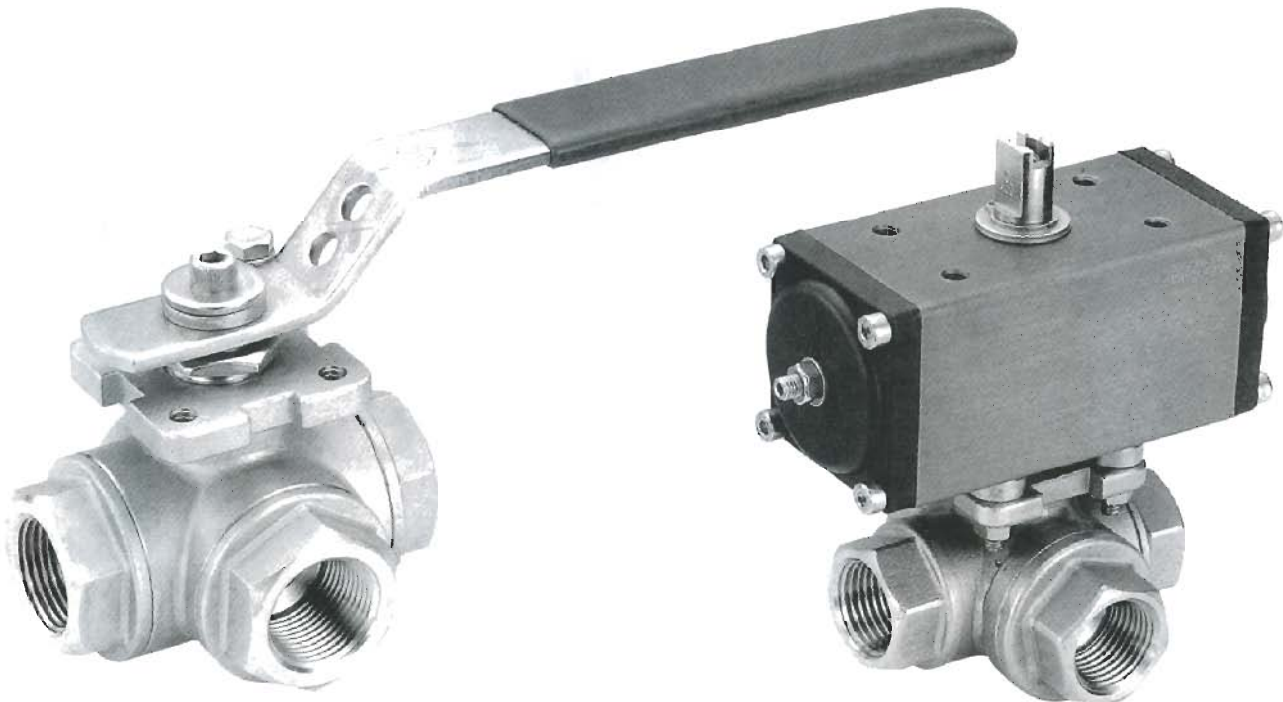




SERIES 38M

ECONOMICAL 3 WAY MULTI-PORT THREADED END BALL VALVES



Square stem for direct mount with actuator. No bracket & coupler required, need only 4 spacers.

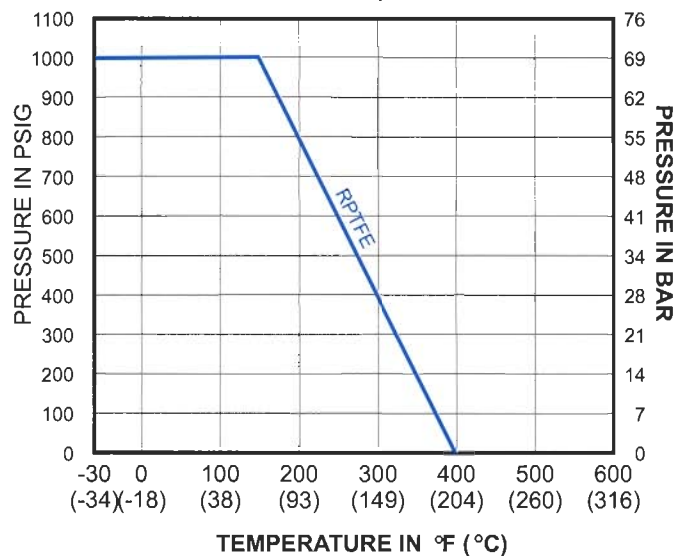
PRODUCT FEATURES

- Quality Investment Cast Components
- All Stainless Steel Construction
- Variety of Thread Standards Available
- Positive Position Location at 90° Increments
- L or T Port Options
- Built-In ISO 5211 Mounting Dimension
- Blow-Out Proof Stem
- 4 seats for rigid ball supporting
- Locking in every 90° increment

SPECIFICATION

- Reduced Port
- Size Available from 1/4" to 2"
- Pressure Rating: PN63/1000cwp

Pressure Vs. Temperature Chart

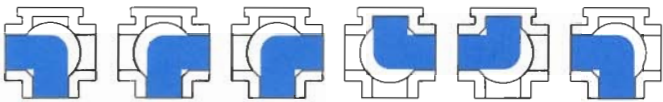


MANUAL OR AUTOMATED, 1/4" TO 2" (DN8-DN50)

■ FLOW PATTERNS FOR 3 WAY VALVES

L-PORT 90 TURN

POSITION 1 POSITION 2 POSITION 1 POSITION 2 POSITION 1 POSITION 2



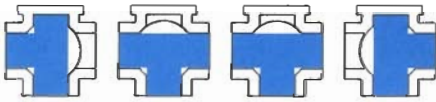
FLOW PLAN A

FLOW PLAN B

FLOW PLAN C

T-PORT 90 TURN

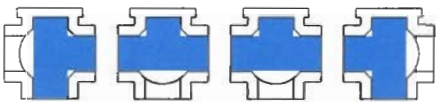
POSITION 1 POSITION 2 POSITION 1 POSITION 2



FLOW PLAN D

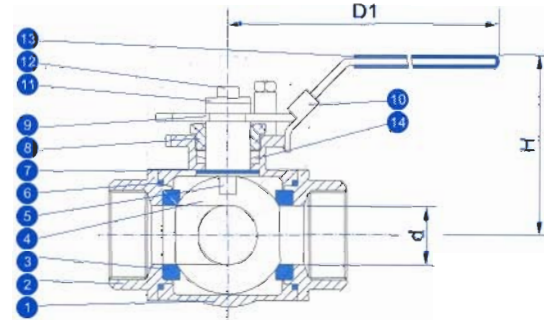
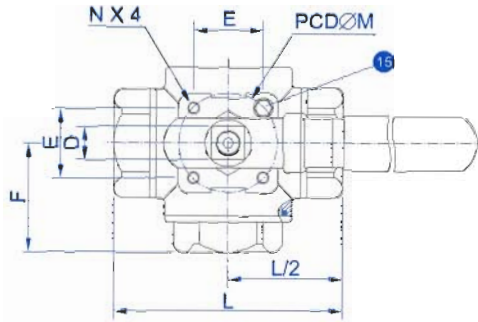
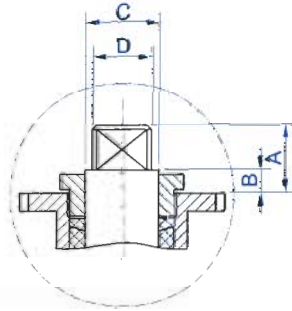
FLOW PLAN E

POSITION 1 POSITION 2 POSITION 1 POSITION 2



FLOW PLAN F

FLOW PLAN G



SIZE	d	L	H	D1	A	B	C	D	E	F	M	N
1/4"	11.0	68.5	58	106	11	6	12	9	29.7	35	42	M5/Ø5.5
3/8"	11.0	68.5	58	106	11	6	12	9	29.7	35	42	M5/Ø5.5
1/2"	12.7	75	61	138	11	6	12	9	29.7	40	42	M5/Ø5.5
3/4"	16.0	86.5	74	138	13	6	15	11	35.4	46	50	M6/Ø6.5
1"	20.0	103	81	162	19	7.5	15	11	35.4	53	50	M6/Ø6.5
1 1/4"	25.0	115	88	162	23.5	8.5	15	11	35.4	58	50	M6/Ø6.5
1 1/2"	32.0	125	104	220	23.5	8.5	15	11	49.5	64	70	M8/Ø8.5
2"	38.1	146	110	220	24.5	8.5	18.5	14	49.5	75	70	M8/Ø8.5

NO.	PART NAME	MATERIAL	QTY
1	BODY	ASTM 351 Gr. CF8M	1
2	END CAP	ASTM 351 Gr. CF8M	3
3	BALL SEAT	RPTFE	4
4	BALL	ASTM 351 Gr. CF8M	1
5	STEM	SUS316	1
6	JOINT GASKET	RPTFE	3
7	THRUST WASHER	RPTFE	1
8	GLAND	SUS304	1
9	HANDLE	SUS304	1
10	LOCATING LOCK	SUS304	1
11	WASHER	SUS304	1
12	HANDLE NUT	SUS304	1
13	HANDLE SLEEVE	VINYL GRIP	1
14	STEM PACKING	RPTFE	1-2
15	SET SCREW	SUS304	1

ORDERING INFORMATION

38M - N 3 1 R G - D 2

NPT REDUCED PORT SS316 RPTFE 1-1/2" 1000 cwp STANDARD HANDLE

38M MULTI PORT

END CAP TYPE		PORT TYPE		BODY/END CAP MATERIAL		SEAT MATERIAL		SIZE		PRESSURE		HANDLE TYPE	
N	THREADED END(NPT)	3	REDUCED PORT	1	316 CF8M 1.4408 SUS316	R	RPTFE	A	1 1/2"	D	PN150/1000cwp	1	STANDARD HANDLE W/LOCK
P	THREADED END(PF)							B	3/4"			2	STANDARD HANDLE
H	THREADED END(PJ)							C	1/2"				
								D	3/8"				
								E	1"				
								F	1 1/4"				
								G	1 1/2"				
								H	2"				

With continuous product improvement, all specifications, descriptions and information contained herein are subject to change with liability excluded. All information contained herein was current at the time of publication.

• ALL VALVES 100% AIR TESTED UNDER WATER AT 100 PSI, IN EVERY POSITION



TAIWAN VALVE COMPANY LTD.

AGENT:



Vallensbækvej 65 DK-2625 Vallensbæk Tel: 43 64 66 11 Fax: 43 64 11 42
 Messingvej 22 DK-8900 Randers Tel: 86 44 89 08 Fax: 86 44 77 71
 e-mail: info@klinger.dk www.klinger.dk