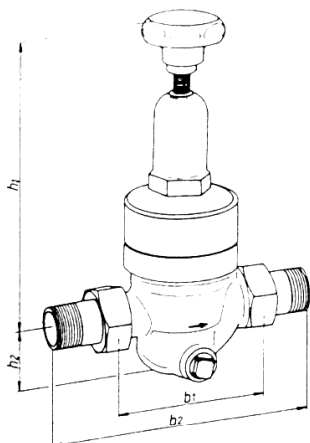
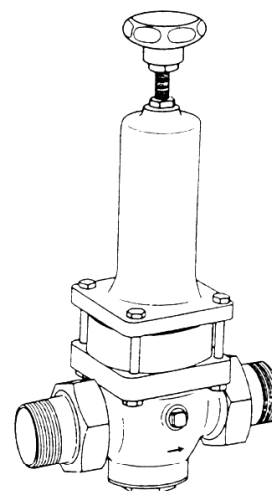


Design



DN 15 to DN 32

- Corrosion-resistant *gun metal* body
G-CuSn5ZnPb (Rg5) / 2.1096.01
- Spring bonnet up to DN 32 in pressed brass,
from DN 40 in grey cast-iron
- Pressure-relieved single-seated valve
- High-quality plastics (Hostaform C) valve seat -
replaceable
- NBR and SBR seals;
Special design available in 100% NBR
- **Regulating piston in brass** (without diaphragm)
- Stainless-steel dirt-trap strainer
- Double-ended G 1/4" manometer fitting
- Double-ended brass screwed fittings with outside-
threaded sockets (standard) or soldered sockets for
Cu pipe (on request)
Special design with G 3/8" internal thread
available



DN 40 to DN 65

Application:

Pressure reduction for **water**, other neutral non-viscous fluids,
compressed air, nitrogen, and other non-combustible gases.
Not suitable for steam!

Working pressure (inlet pressure):

Min. 2.5 bars - max. 25 bars

Outlet pressure - continuously variable:

DRV 403-H: 1.5 to 12 bars
DRV 425 2 to 20 bars

Minimum pressure difference inlet pressure/outlet pressure:

Approx. 1 bar

Maximum temperature:

75 °C

Assembly position:

Any - vertical spring bonnets should be used from DN 40 upwards

Type		403-H/425	403-H/425	403-H/425	403-H/425	403-H/425	403-H/425	403-H/425
Nominal width	DN	15	20	25	32	40	50	65
Product No.		04702/04002	04703/04003	04704/04004	04705/04005	04706/04006	04707/04007	04708/04008
Threaded socket	R	1/2"	3/4"	1"	1 1/4"	1 1/2"	2"	2 1/2"
Soldered Cu socket	Ø	15	22	28	35	42	54	-
Dimensions [mm]	h1	150	150	150	150	320	320	335
	h2	27	27	28.5	47	75	85	95
	b1	78	78	90	100	146	195	150
	b2	136	145	160	178	225	280	265
Approx. weight	[kg]							
kvs value	[m³/h]	2.9	3.9	5.4	6.1	12	13.0	20.0