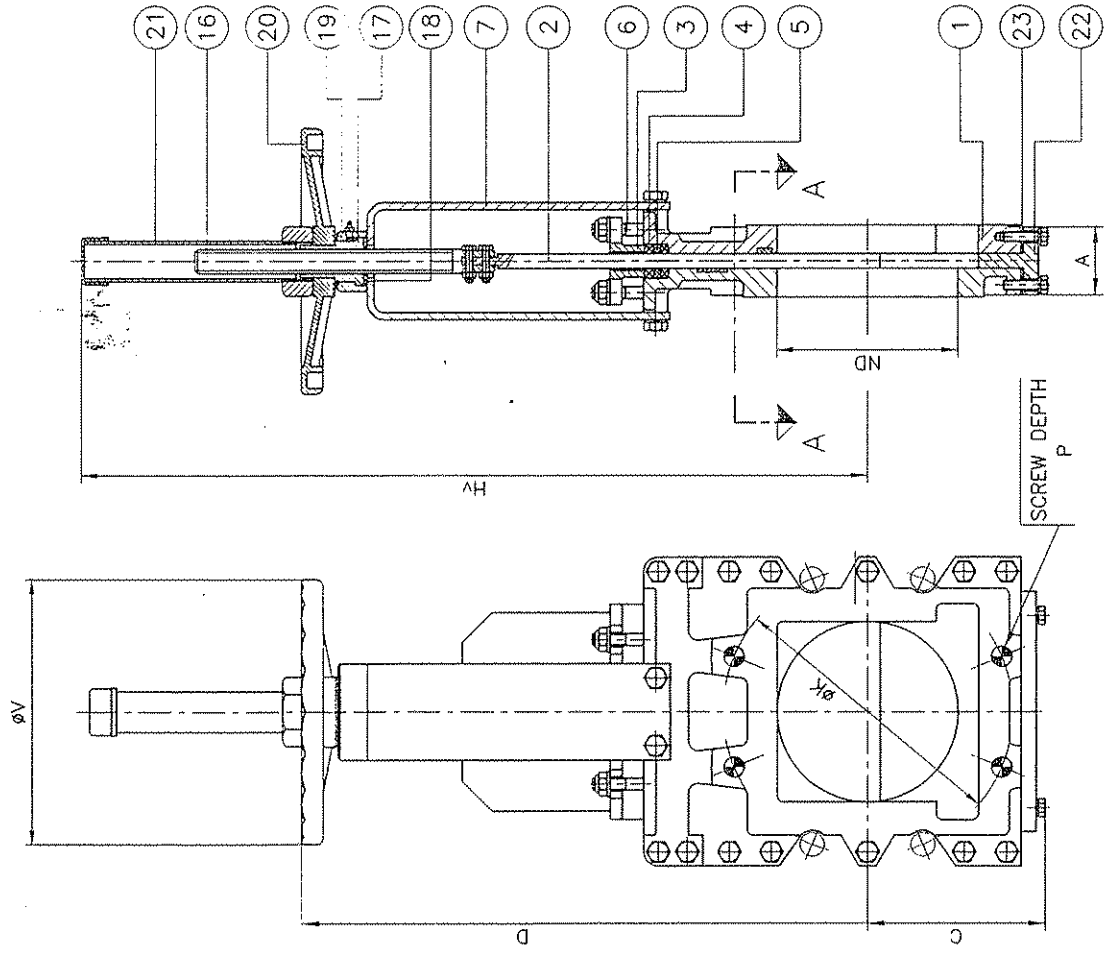


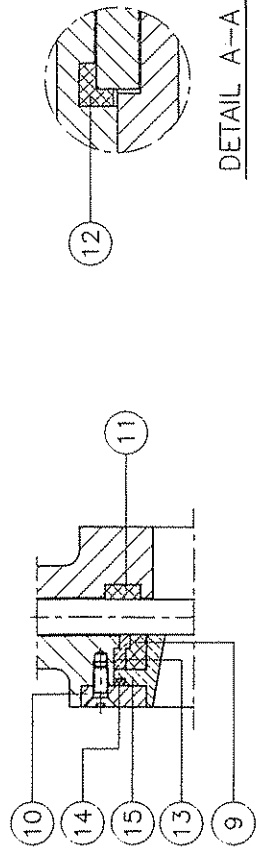
ITEM	DESCRIPTION	GG25	GG25	CF8M
1	BODY	GG25	GG25	CF8M
2	KNIFE	304	304	316
3	PACKING GLAND	ALUMINIUM	ALUMINIUM	CF8M
4	PACKING	F.VEGETAL+PTFE	F.VEGETAL+PTFE	F.VEGETAL+PTFE
5	O-RING	EPDM	EPDM	EPDM
6	STUD	STEEL+ZINC	STEEL+ZINC	316
7	SUPPORT	STEEL	STEEL	316
8	SOCKET	316	316	316
9	JOINT	EPDM	EPDM	EPDM
10	FLANGE	CF8M	CF8M	CF8M
11	SEAT	LATON	LATON	LATON
12	SEAT	LATON	LATON	LATON
13	SOCKET	B-148	B-148	B-148
14	O-RING	NITRILE	NITRILE	NITRILE
15	SEAT	B-148	B-148	B-148
16	SPINDLE	303	303	303
17	STEM NUT	BRONZE	BRONZE	BRONZE
18	FRICION WASHER	304	304	304
19	YOKE	STEEL	STEEL	STEEL
20	HANDWHEEL	NODULAR IRON	NODULAR IRON	NODULAR IRON
21	HOOD	STEEL	STEEL	STEEL
22	BOTTON	GG25	GG25	CF8M
23	JOINT	GG25	GG25	CF8M



ND	DIMENSIONS				Hv
	A	C	ØV	D	
50	40	86	225	310	440
65	40	95	225	335	470
80	50	114	225	365	490
100	50	135	225	395	520
125	50	145	225	430	615
150	60	155	225	480	675
200	60	185	325	600	840
250	70	235	325	690	1045
300	70	265	380	790	1160
350	96	290	460	910	1370
400	100	325	460	975	1465
450	106	350	460	1100	1640
500	110	380	460	1250	1770
600	110	470	460	1405	1965

ND	DIN PN10				ANSI150			
	Ø	M	P	φK	Ø	R	P	φK
50	4	M.16	9	125	4	5/8"	9	120.6
65	4	M.16	9	145	4	5/8"	9	139.7
80	4	M.16	10	160	4	5/8"	10	152.4
100	4	M.16	10	180	4	5/8"	10	190.5
125	4	M.16	10	210	4	3/4"	10	215.9
150	4	M.20	11	240	4	3/4"	11	241.3
200	4	M.20	11	295	4	3/4"	11	298.4
250	8	M.20	13	350	8	7/8"	13	361.9
300	8	M.20	13	400	8	7/8"	13	431.8
350	12	M.20	22	460	8	1"	22	476.2
400	12	M.24	22	515	12	1"	22	539.7
450	16	M.24	24	565	12	1 1/8"	24	577.8
500	16	M.24	24	620	16	1 1/8"	24	635
600	16	M.27	24	725	16	1 1/4"	24	749.3

\* NO STANDARD FLANGE IN SQUARE MOUTH.



Rev	Modificación	Fecha
B	INGLES	
C		
D		
E		
F		
G		

Descripción		PN10/ANSI150		--E-- SERIE VALVE		HANDWHEEL	
Dibujado	J.VITERO	Aprobado		Disk	Plano N°	318	E-9003B3
Comprobado		Fecha	1-6-93				