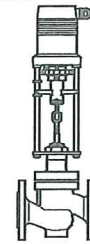


Control valves with electric actuators up to 350°C

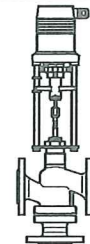
PN 16-40 **2.3.1**

Flanged connection
PN 16 – 40
Cast iron
Spheroidal graphite
Cast steel
Stainless steel

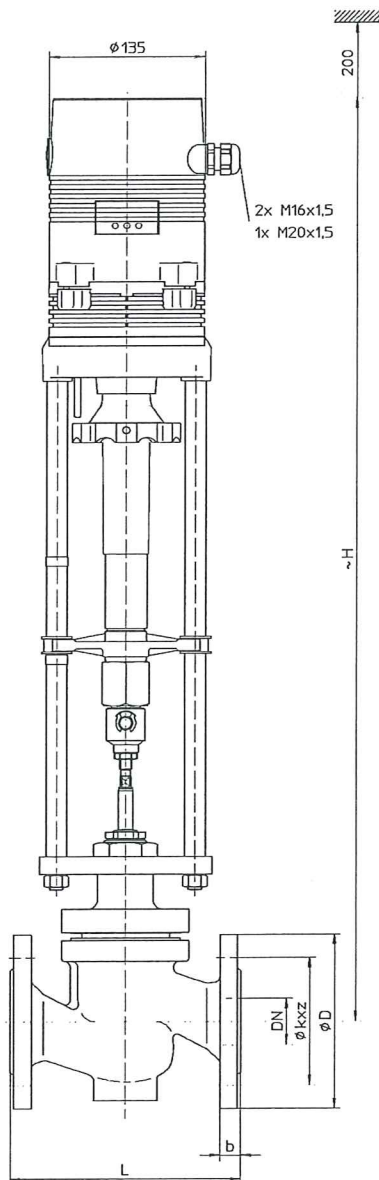
with electric actuators
MC103/24 • MC103/230
MC163/24 • MC163/230
MC253/24 • MC253/230
MC403/24 • MC403/230
MC503/24 • MC503/230
MC1003/24 • MC1003/230
MC1503/24 • MC1503/230
M300-20kN • M300Y-20kN
M300-25kN • M300Y-25kN



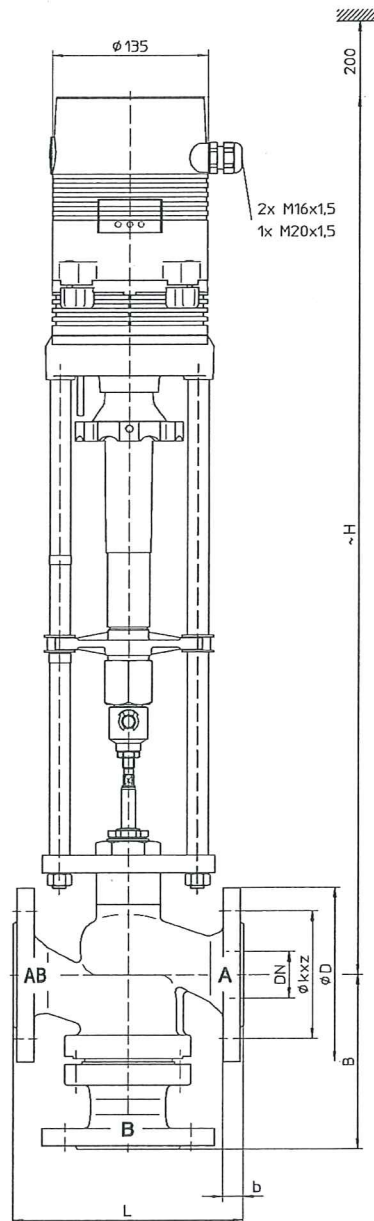
BR216
BR225
BR240S
BR240E



BR316
BR325
BR340S
BR340E



BR2... MC253
MC403
MC503
MC1003
MC1503



BR3... MC253
MC403
MC503
MC1003
MC1503

subject to change without notice

KLINGER DANMARK A/S

Nyager 12 · DK-2605 Brøndby

Tel.: +45 43 64 66 11 · Fax: +45 43 64 11 42

e-mail: info@klinger.dk · www.klinger.dk

Døgnservice : Tel.: +45 43 64 66 11

DANSK MASKINPAKNING A/S



Erhvervsvej 28 · Postbox 38 · DK-2610 Rødovre

Tel.: +45 44 52 81 11 · Fax: +45 44 52 81 18

e-mail: dmp@dmp.dk · www.dmp.dk

Reg.nr.: 18738

CVR-nr.: 55793913

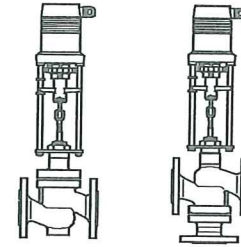
Salgsbetingelser: NL 92,
bortset fra betalingsbetingelser.

Leveringsbetingelser: Incoterms 2000

Control valves with electric actuators up to 350°C

PN 16-40 **2.3.1**

Flanged connection	with electric actuators
PN 16 – 40	MC103/24 • MC103/230
Cast iron	MC163/24 • MC163/230
Spheroidal graphite	MC253/24 • MC253/230
Cast steel	MC403/24 • MC403/230
Stainless steel	MC503/24 • MC503/230
	MC1003/24 • MC1003/230
	MC1503/24 • MC1503/230
	M300-20kN • M300Y-20kN
	M300-25kN • M300Y-25kN



BR216
BR225
BR240S
BR240E

BR316
BR325
BR340S
BR340E

Dimension

BR216/BR316 and BR225/BR325

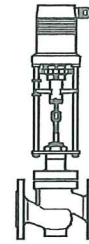
DN		15	20	25	32	40	50	65	80	100	125	150	200 ¹⁾	250 ¹⁾	300 ¹⁾	
L	mm	130	150	160	180	200	230	290	310	350	400	480	600	730	850	
B	mm	130	130	130	150	150	160	170	215	215	260	280	400	450	550	
PN 16	Ø D	mm	95	105	115	140	150	165	185	200	220	250	285	340	405	460
	Ø k	mm	65	75	85	100	110	125	145	160	180	210	240	295	355	410
	z	mm	4x Ø14			4x Ø18				8x Ø18			8x Ø22	12x Ø22	12x Ø26	
	b	mm	16	16	18	18	18	20	20	20	22	24	24	30	32	32
PN 25	Ø D	mm	95	105	115	140	150	165	185	200	235	270	300			
	Ø k	mm	65	75	85	100	110	125	145	160	190	220	250			
	z	mm	4x Ø14			4x Ø18				8x Ø18	8x Ø22	8x Ø26				
	b	mm	16	16	18	18	18	20	20	20	22	24	24			
MC103 24 VAC	BR2...	mm	500	500	500	515	515									
	BR3...	mm	460	460	465	475	475									
MC103 230 VAC	BR2...	mm	525	525	525	540	540									
	BR3...	mm	485	485	490	500	500									
MC163 24 VAC	BR2...	mm	552	537	537	567	567	577	587							
	BR3...	mm	512	512	517	527	527	537	552							
MC163 230 VAC	BR2...	mm	577	577	577	592	592	602	612							
	BR3...	mm	537	537	542	552	552	562	577							
MC253	BR2...	mm	725	725	725	740	740	750	760	860	905					
	BR3...	mm	685	685	690	700	700	710	725	840	870					
H MC403	BR2...	mm	775	775	775	790	790	800	810	905	950	975	1000			
	BR3...	mm	735	735	740	750	750	760	775	885	915	920	940			
MC503	BR2...	mm	725	725	725	740	740	750	760	860	905	930	955			
	BR3...	mm	685	685	690	700	700	710	725	840	870	875	895			
MC1003	BR2...	mm						935	950	995	1020	1045	1150	1210		
	BR3...	mm						900	930	960	965	985	1100	1155		
MC1503	BR2...	mm									1020	1045	1150	1210	1270	
	BR3...	mm									965	985	1100	1155	1210	
M300(Y)	BR2...	mm									900	925	990	1045	1105	
	BR3...	mm									885	905	980	1030	1085	

¹⁾ PN 16

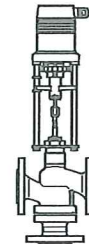
Control valves with electric actuators up to 350°C

PN 16-40 **2.3.1**

Flanged connection	with electric actuators
PN 16 – 40	MC103/24 • MC103/230
Cast iron	MC163/24 • MC163/230
Spheroidal graphite	MC253/24 • MC253/230
Cast steel	MC403/24 • MC403/230
Stainless steel	MC503/24 • MC503/230
	MC1003/24 • MC1003/230
	MC1503/24 • MC1503/230
	M300-20kN • M300Y-20kN
	M300-25kN • M300Y-25kN



BR216
BR225
BR240S
BR240E



BR316
BR325
BR340S
BR340E

Weight

PN 16 / PN 25

DN			15	20	25	32	40	50	65	80	100	125	150	200	250	300
MC103	BR2...	kg	6.5	8.5	9.5	10.5	13.5									
	BR3...	kg	7.5	8.5	10.5	12.5	14.5									
MC163	BR2...	kg	8	10	11	12	15	17	21							
	BR3...	kg	9	10	12	14	16	20	24							
MC253 24 VAC	BR2...	kg	11.4	13.4	14.4	15.4	18.4	20.4	24.4	37.4	49.4					
	BR3...	kg	12.4	14.4	15.4	17.4	19.4	23.4	27.4	41.4	52.4					
MC253 230 VAC	BR2...	kg	12.6	14.6	15.6	16.6	19.6	21.6	25.6	38.6	50.6					
	BR3...	kg	13.6	15.6	16.6	18.6	20.6	24.6	28.6	42.6	53.6					
MC403	BR2...	kg	13.5	15.5	16.5	17.5	20.5	22.5	26.5	39.5	51.5	70.5	102.5			
	BR3...	kg	14.5	16.5	17.5	19.5	21.5	25.5	29.5	43.5	54.5	82.5	113.5			
MC503 24 VAC	BR2...	kg	11.4	13.4	14.4	15.4	18.4	20.4	24.4	37.4	49.4	68.4	100.4			
	BR3...	kg	12.4	14.4	15.4	17.4	19.4	23.4	27.4	41.4	52.4	80.4	111.4			
MC503 230 VAC	BR2...	kg	12.6	14.6	15.6	16.6	19.6	21.6	25.6	38.6	50.6	69.6	101.6			
	BR3...	kg	13.6	15.6	16.6	18.6	20.6	24.6	28.6	42.6	53.6	81.6	112.6			
MC1003	BR2...	kg							28.5	41.5	53.5	72.5	104.5	241.5	301.5	
	BR3...	kg							31.5	45.5	56.5	84.5	115.5	281.5	346.5	
MC1503	BR2...	kg										72.5	104.5	241.5	301.5	391.5
	BR3...	kg										84.5	115.5	281.5	346.5	451.5
M300(Y)	BR2...	kg										83	115	252	312	402
	BR3...	kg										95	126	292	357	462