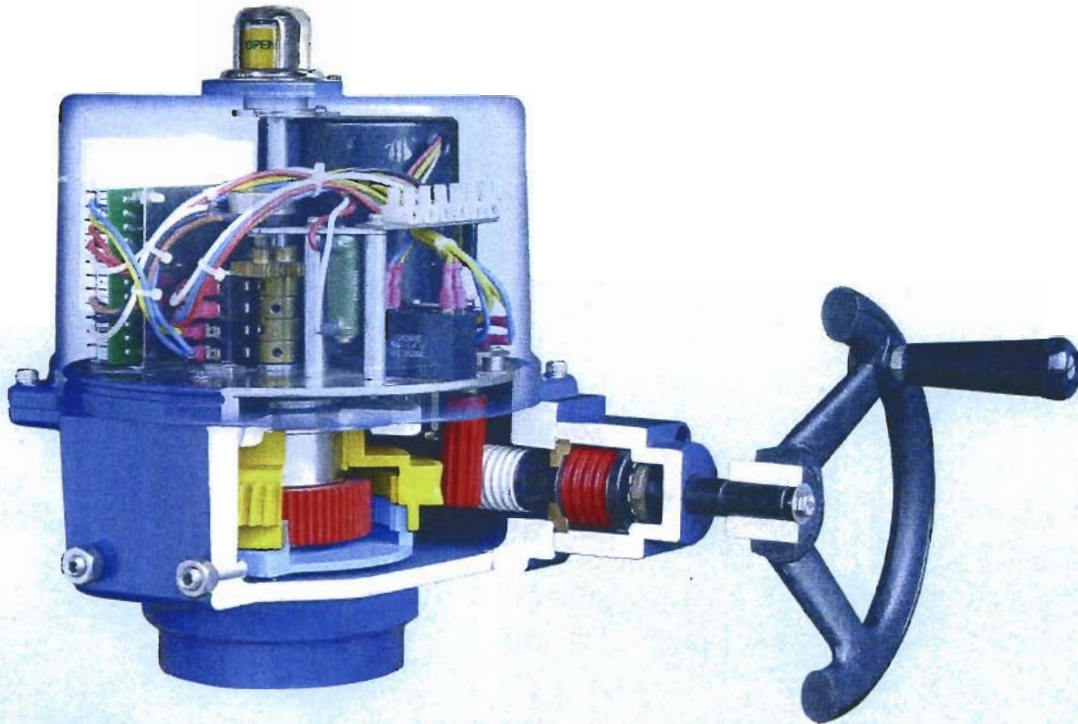


## QUARTER-TURN ELECTRIC ACTUATOR



Model No.	Power (Watts)	Torque (Nm)	Speed (Sec/90°)	Weight (kg)	Manual Override	Mounting Flange (ISO 5211)
BM-2	40W	120	8	4.5	N/A	F07
OM-A	10W	50	20	3.0	N/A	F07
OM-1	10W	35	12	2.0	Lever	F05/F03
OM-2	40W	90	15	11.0	Hand-wheel	F07
OM-3	40W	150	22	11.0	Hand-wheel	F07
OM-4	120W	400	16	22.0	Hand-wheel	F10
OM-5	120W	500	22	22.0	Hand-wheel	F10
OM-6	120W	650	28	22.0	Hand-wheel	F10
OM-7	180W	1000	46	36.0	Hand-wheel	F14/F12
OM-8	220W	1500	46	36.0	Hand-wheel	F14/F12
OM-9	180W	2000	58	56.0	Hand-wheel	F16
OM-10	220W	2500	58	56.0	Hand-wheel	F16
OM-11	250W	3000	58	56.0	Hand-wheel	F16
OM-12	300W	3500	58	56.0	Hand-wheel	F16

## QUARTER-TURN ELECTRIC ACTUATOR

### FEATURES

#### ● Enclosure:

- ⊙ IP 67 : Waterproof and dust-proof enclosures.
- ⊙ NEMA 4X : Waterproof and dust-proof enclosures.
- ⊙ Material: Dry powder coating aluminum alloy.

#### ● Motor:

- ⊙ Standard extended duty cycle induction motor. H insulation class for OM-1 and OM-A; F class for BM-2, and OM-2 to OM-12.
- ⊙ Built-in thermal protection (135°C) prevents motor burning out.

#### ● Position Indicator:

- ⊙ All models have continuous mechanism position indicator on the top of actuator cover.

#### ● Manual Override:

- ⊙ Non-clutch design, the manual operation can be operated without any lever, clutch or brake upon power outage.
- ⊙ When electric motor is operating, manual hand-wheel won't rotate for person safe purpose.

#### ● Gear Train:

- ⊙ High alloy steel gear trains provide self-locking function to avoid valve back drive.
- ⊙ Gear trains have been already lubricated sufficiently with anti-high temperature lubricant at the factory.

#### ● Working Conditions:

- ⊙ Ambient temperature: -5°C ~ +60°C.
- ⊙ The humidity: 30% ~ 95%.

#### ● Various Options:

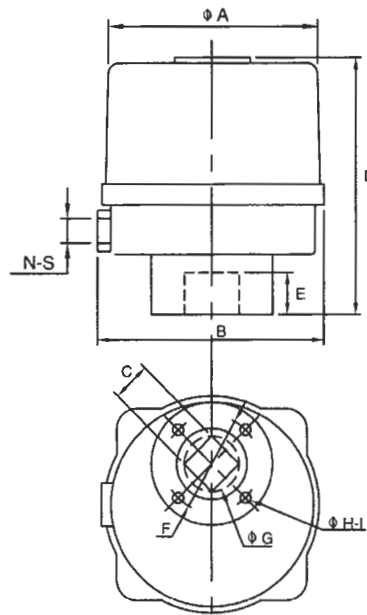
- ⊙ Space heater.
- ⊙ Additional limit switches (2 units).
- ⊙ Potentiometer unit (1K Ohm).
- ⊙ Local control unit (local/remote, on/off).
- ⊙ Conduit entrance (1/2" PT, 3/4" PF, 1/2" NPT).
- ⊙ Adjustable torque switches (2 units).
- ⊙ Current position transmitter (output 4-20mA).
- ⊙ Modulating controller.
- ⊙ Various voltages.
- ⊙ Nylon enclosure material.

#### ● Certificates:

- ⊙ ISO 9001.
- ⊙ CE.
- ⊙ CSA. (Conforming to the test standard of outdoor usage.)

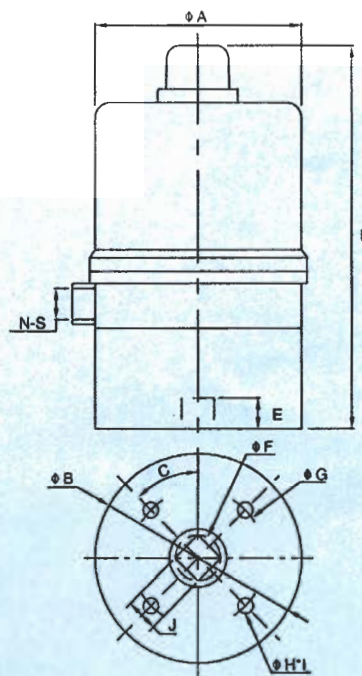
# QUARTER-TURN ELECTRIC ACTUATOR

## DIMENSIONS



Unit:mm

Dimension	A	B	C	D	E	F	G	H	I	N	S	Flange Type
Model NO.			Max									
BM - 2	154	160	22	192	30	70	30.1	m8	4	1	1/2 PT	F07



Unit:mm

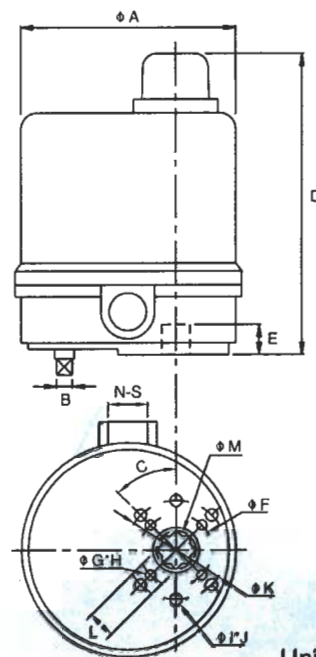
\* Option: J=14 , F=19

\* With modulating card D=233

Dimension	A	B	C	D	E	F	G	H	I	J	N	S	Flange Type
Model NO.										Max			
OM-A	108	106	45	203	16	24	70	m8	4	17	1	1/2 PT	F07

# QUARTER-TURN ELECTRIC ACTUATOR

## DIMENSIONS

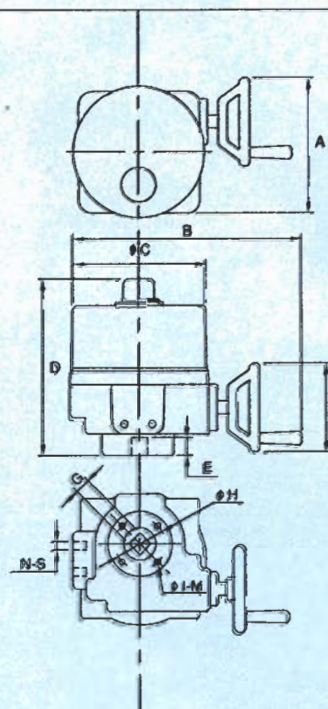


\* Option:(1)L=11,M=15(2)L=9,M=12

\* With modulating card D=185

Unit:mm

Dimension	A	B	C	D	E	F	G	H	I	J	K	L	M	N	S	Flange Type
Model NO.												Max				
OM-1	108	8	45	155	15	36	m5	4	m6	6	50	14	19	1	1/2 PT	F03 / F05

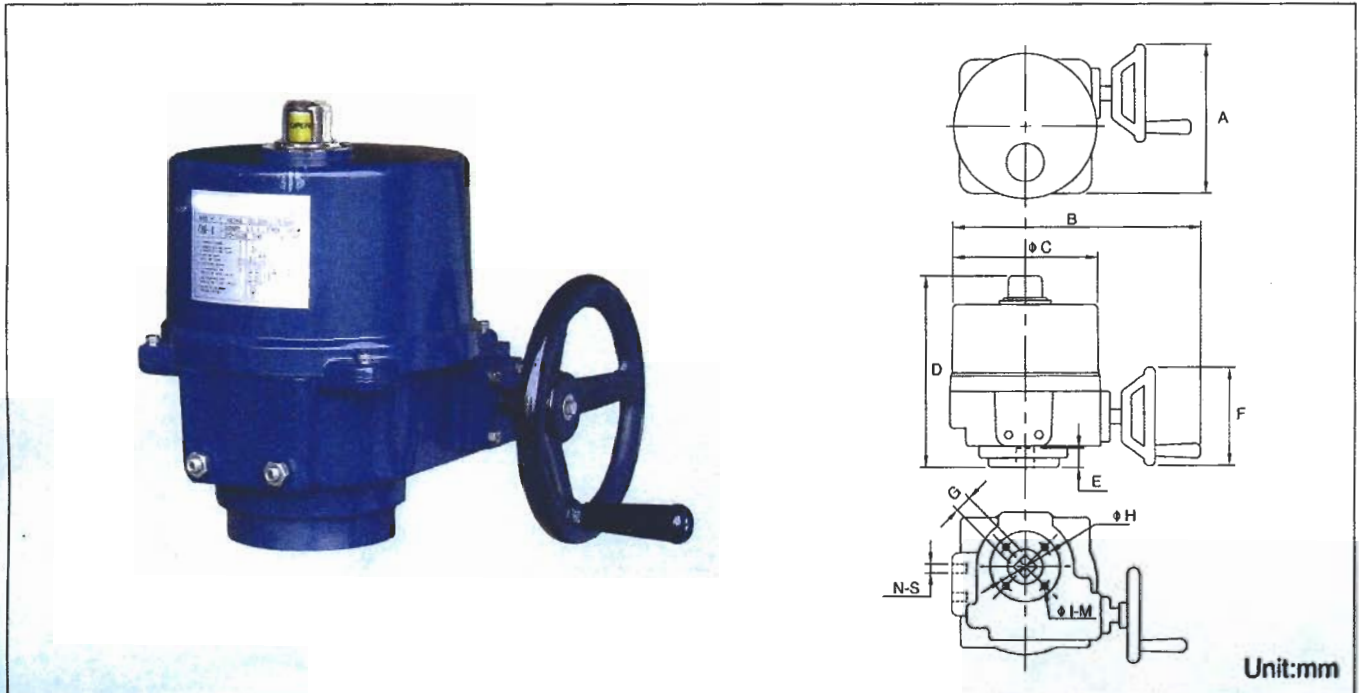


Unit:mm

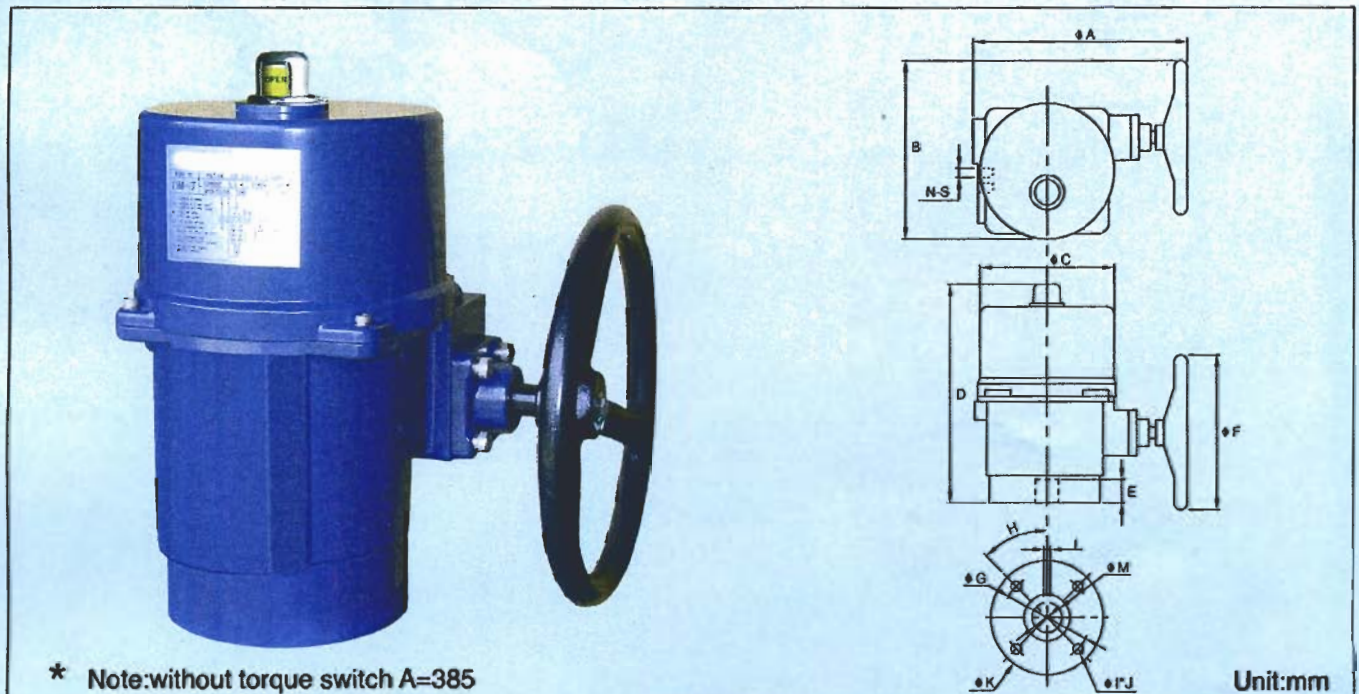
Dimension	A	B	C	D	E	F	G	H	I	M	N	S	Flange Type
Model NO.							Max						
OM-2~OM-3	200	330	200	255	30	125	22	70	m8	4	2	1/2 PT	F07

# QUARTER-TURN ELECTRIC ACTUATOR

## DIMENSIONS



Dimension	A	B	C	D	E	F	G	H	I	M	N	S	Flange Type
Model NO.							Max						
OM-4~OM-6	300	380	234	315	40	195	35	102	m10	4	2	1/2 PT	F10

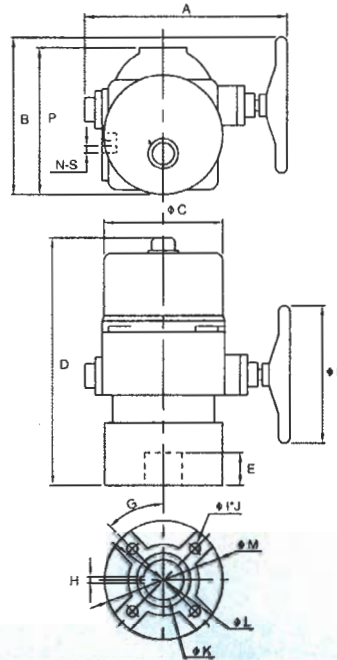


\* Note: without torque switch A=385

Dimension	A	B	C	D	E	F	G	H	I	J	K	L	M	N	S	Flange Type
Model NO.													Max			
OM-7~OM-8	450	340	234	420	60	295	140	45°	m16	4	180	10	35	2	1/2 PT	F14

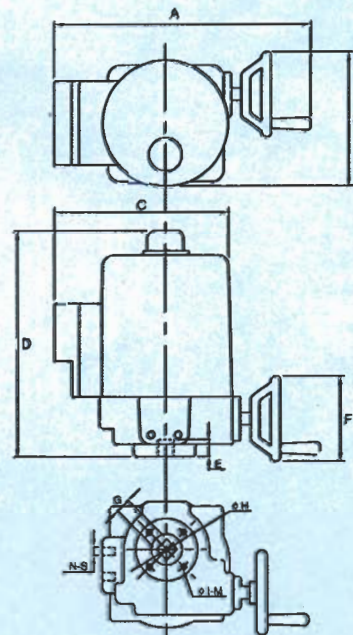
# QUARTER-TURN ELECTRIC ACTUATOR

## DIMENSIONS



Unit:mm

Dimension Model NO.	A	B	C	D	E	F	G	H	I	J	K	L	M	P	N	S	Flange Type
OM-9~OM-12	470	350	260	590	100	395	45°	12	m20	4	75	165	221	360	2	1/2 PT	F16



Unit:mm

Dimension Model NO.	A	B	C	D	E	F	G Max	H	I	M	N	S	Flange Type
OM-2~OM-3	405	205	275	350	30	125	22	70	4	m8	2	1/2 PT	F07
OM-4~OM-6	455	305	310	410	40	195	35	102	4	m10	2	1/2 PT	F10

# QUARTER-TURN ELECTRIC ACTUATOR

## OPTION ITEMS

### TORQUE SWITCHES



Adjustable cam activated torque switches to provide over-load protection.

### POTENTIOMETER UNIT

OM-1&OM-A  
(1K $\Omega$  or 5K $\Omega$ )

OM-2~12  
(1K $\Omega$  or 5K $\Omega$ )



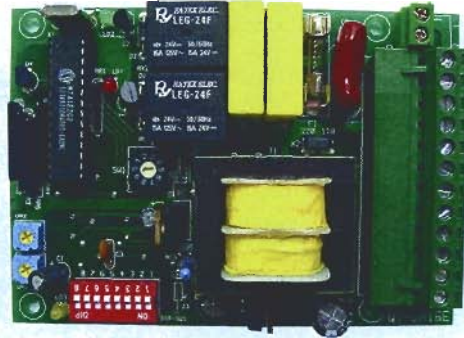
It is synchronous turn with transmission shaft, and it can provide feedback signal for position indicator and etc.

### LOCAL CONTROL UNIT



Local / Remote selection switches. Open / Close selection switches.

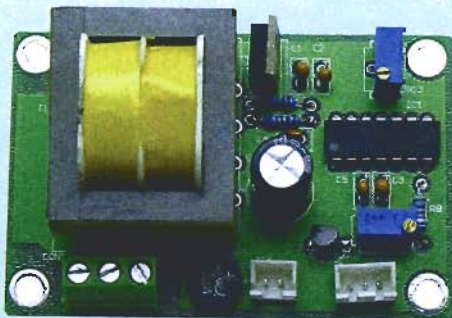
### MODULATING CONTROLLER FOR OM-2~12



Modulating actuator : 30% or 75% duty cycle for OM-2~8 ,  
50% duty cycle for OM-9~12.

It is a board inside actuator and supplied for OM-2 ~12.  
Input signal: 4-20mA, 1-5V, 2-10V. Output signal:  
4-20mA, 2-10V.

### CURRENT POSITION TRANSMITTER



It works with potentiometer unit and provides 4-20mA output signal for position indicator and etc.

### MODULATING CONTROLLER FOR OM-1,OM-A



It is a board inside actuator and supplied for OM-1 & OM-A. Input signal: 4-20mA, 1-5V , 2-10V . Output signal: 4-20mA, 2-10V.

# QUARTER-TURN ELECTRIC ACTUATOR

## OPTION ITEMS

### HEATER



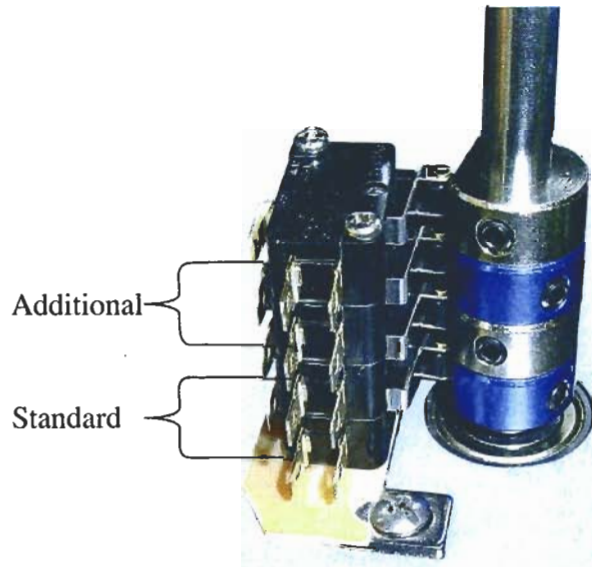
DC/AC24V

220V

110V

A space heater keeps the component parts of the actuator dry and prevents the condensation for low temperature and humidity.

### TRAVEL CAMS & LIMIT SWITCHES



Additional

Standard

### VARIOUS VALVES

