

Description

Type Safety and Relief valve
 Conections Threaded BSP / NPT
 Rating PN-40 and PN-100
 Material Carbon steel
 Stainless steel 316 L SS
 Temperature range -28°C to +350°C

Requirements

Calculation EN-4126-1 / 7
 Design / Size EN-12516-1, EN-4126-1 / 7
 Materials EN / ASTM / ASME
 Inspection EN-4126-1 / 7 , MSS-SP-55
 Tolerances EN-4126-1 and ASME UG-126

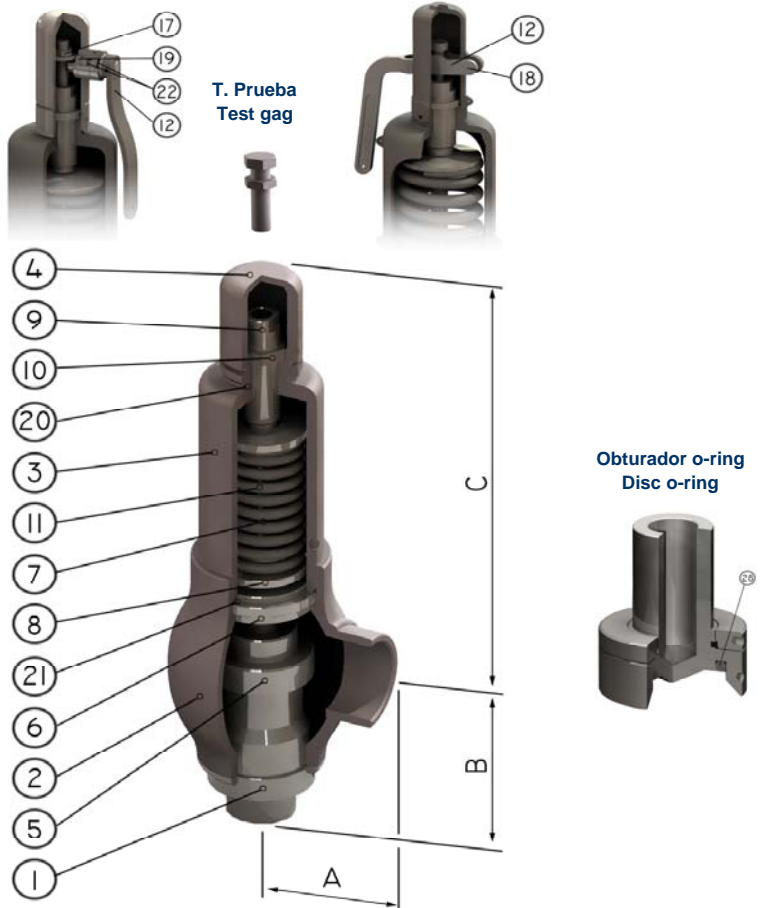
Construction and materials

Item	Description	Material	
		Carbon Steel	Stainless steel
1	Nozzle	316 L SS	316 L SS
2	Body	A 160Gr.b	316 L SS
3	Bonnet	A 106 Gr.b	316 L SS
4	Cap	A351 CF-8	A351 CF-8
5	Disc	420 SS	316 L SS
6	Guide	C. Steel zn.	316 L SS
7	Push Road	420 SS	316 L SS
8	Spring Button	C. Steel zn.	303 SS
9	Ajusting Screw	303 SS	303 SS
10	Lock nut	303 SS	303 SS
11	Spring	Carbon Steel	302 SS
12	Lever	A351 CF-8	A351 CF-8
17	Release nut	303 L SS	306 L SS
18	Lever axis	303 SS	303 SS
19	Packing lever axis	303 SS	303 SS
20	Gasket	NBR+MF	PTFE
21	Gasket	NBR+MF	PTFE
22	Gasket	Viton	Viton
27	Bellows	316 TI SS	316 TI SS
28	O' ring disc	Viton / PTFE	Viton / PTFE

○ Recommended spare parts

Palanca manual
Lifting device

Palanca estanca
Sealed packing lever



Technical information

Applications Steam, gases, vapours and liquids
 Min. Set pressure 0,2 barg
 Seat metal-metal, PTFE, Viton
 Overpressure 10% for steam, gas and vapour
 20% for fire exposure
 25% for liquid on thermal relief
 Blowdown 7%
 Tolerance Set pressure ± 3%
 Discharge coefficients k= 0,64 for gases
 k= 0,5 for liquids

Dimensions

Inlet	Outlet	Orifice	Area (mm ²)	A (mm)	B (mm)	C (mm)	Weight (kg)
1/2"	1"	13	133	60	88	250	4,8
3/4"	1"	14	133	60	88	250	4,8
1"	1"	14	154	60	92	250	4,8
1"	1 1/2"	16	201	60	92	250	5,5
1 1/4"	2"	18	201	65	110	305	9,7
1 1/2"	2 1/2"	23,8	445	100	113	305	10,7
2"	3"	26	804	116	121	305	11,4



0830
0163

94/9/EC ATEX