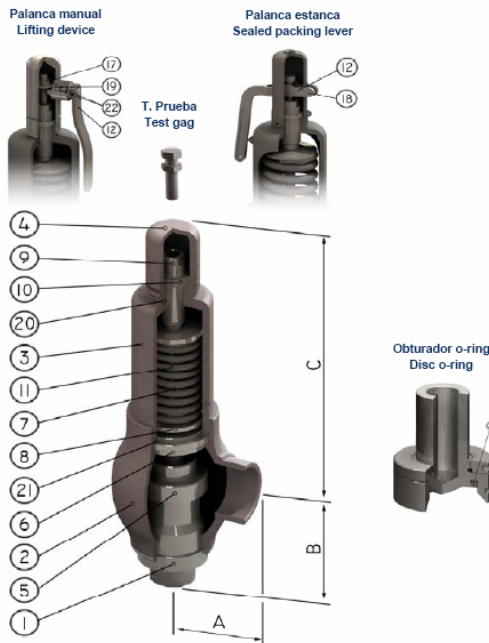


New model 1216 F HP High pressure PN-250 & PN-400

Stainless steel / INOX



Inlet	Outlet	Orifice	Area (mm ²)	A (mm)	B (mm)	C (mm)	Weight (kg)
PN250	PN160						
1/2"	3/4"	9	64	45	57	155	3
3/4"	3/4"	9	64	45	57	155	3
1"	1"	9	64	45	57	155	3
PN400	PN160						
1/2"	3/4"	6	28	45	57	155	3
3/4"	3/4"	6	28	45	57	155	3
1"	1"	6	28	45	57	155	3



Construction and materials

Item	Description	Material
		Stainless steel
1	Nozzle	316 L SS
2	Body	316 L SS
3	Bonnet	316 L SS
4	Cap	A351 CF-8
5	Disc	316 L SS
6	Guide	316 L SS
7	Push Road	316 L SS
8	Spring Button	303 SS
9	Ajusting Screw	303 SS
10	Lock nut	303 SS
11	Spring	302 SS
12	Lever	A351 CF-8
17	Release nut	306 L SS
18	Lever axis	303 SS
19	Packing lever axis	303 SS
20	Gasket	PTFE
21	Gasket	PTFE
22	Gasket	Viton
27	Bellows	316 TI SS
28	O' ring disc	Viton / PTFE

○ Recommended spare parts