

Description

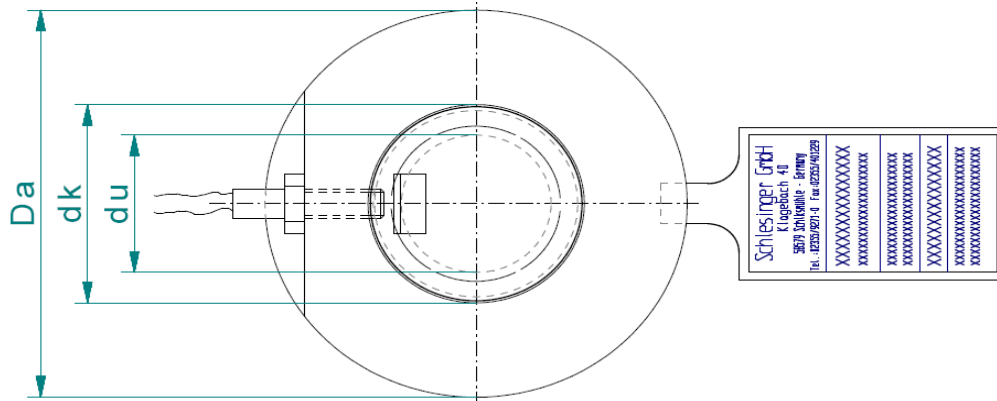
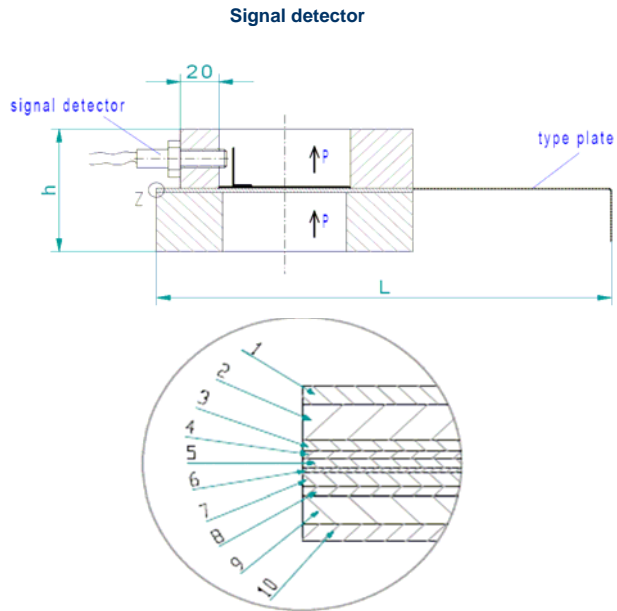
Type Bursting disc
 Conections EN/ ANSI/ Clamp
 Rating PN-6 to PN-250
 Material Stainless steel/ Aluminium
 Nickel/ Monel/ Inconel
 Hastelloy C276
 Temperature range -10 to +200°C

Requirements

Calculation EN-4126-1 / 7
 Design
 Tolerences DIN ISO 2768-m
 Materials EN / ASME

Construction and materials

Item	Description	Material	
			Standard
1	Gasket	PTFE	
2	Support	Stainless steel	
3	Composite-foil	Stainless steel	
4	Sealing-foil	PTFE	
5	Composite-foil	Stainless steel	
6	Sealing-foil	PTFE	
7	Vacuum-support	Stainless steel	
8	Sealing-foil	PTFE	
9	Support	Stainless steel	
10	Gasket	PTFE	



Technical information

Applications Steam, gases, vapours and liquids
 Min. Bursting pressure 0,1 bar
 Working pressure 85%
 Max. Bursting pressure 2500 bar
 Tolerance Set pressure ± 10%
 Discharge coefficients k=

Dimensions

DN		L (mm)	h (mm)	Da (mm)	dk (mm)	du (mm)	Weight (kg)
3	1/8"						
600	24"						

DEMAND INFORMATION

