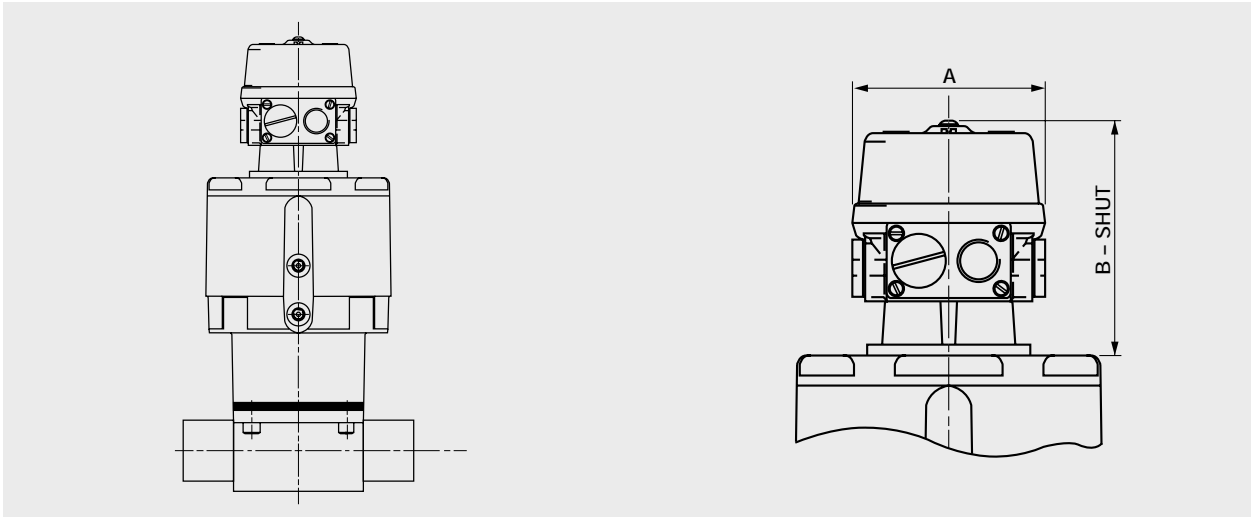
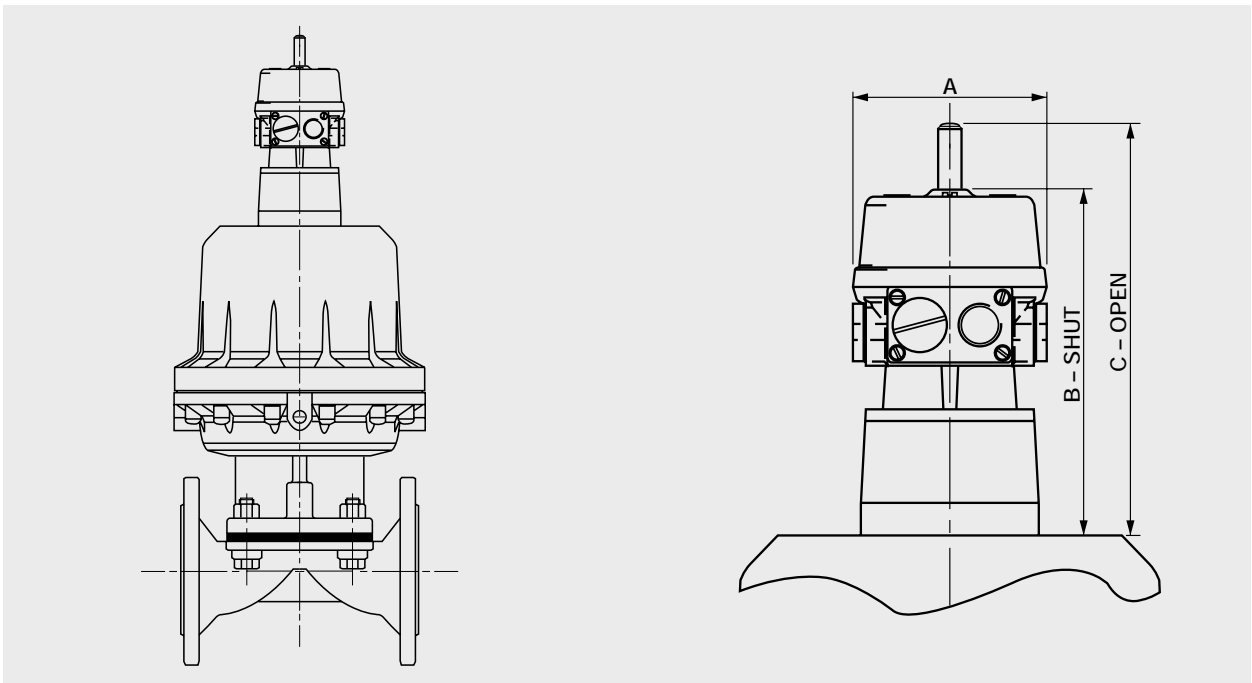


# ViaTech Module Switchbox

## Actuation & Control



EC with ViaTech Module (DN8-50)



ECX with ViaTech Module (DN65-150)

	A Ø	B	C
EC DN8-50	95 (3.74")	120 (4.72")	126 (4.96")
EC DN40-50	95 (3.74")	120 (4.72")	140 (5.51")
ECX DN65	95 (3.74")	140 (5.51")	196 (7.71")
ECX DN80-100	95 (3.74")	145 (5.71")	200 (5.87")
ECX DN100-150	95 (3.74")	148 (5.82")	201 (7.91")

6/ACT/MOD01/UK/Rev1



## Technical Specification

<b>Suitable for</b>	EC and ECX actuators for A and AFP type valves, (spring close, spring open and double acting models)	<b>Material of construction</b>	Die-cast Aluminium with a polyester resin coating
<b>Size Range</b>	EC: DN8-50 inclusive <i>(except DN32)</i> ECX: DN65-150 inclusive	<b>Seals</b>	Nitrile
<b>Enclosure Connection</b>	M20 conduit thread PG13.5 conduit thread 1/2" NPT conduit thread DIN plugs Pneumatic manifold ViaScan	<b>Weight</b>	Module 0.7 kg EC mounting kit – 0.1 kg ECX mounting kit – 1 kg
<b>Enclosure rating</b>	IP67/NEMA 6 Module with just switches/sensors  IP66/NEMA 4X Module switches/sensors and solenoid  IP65/NEMA 4X Module with DIN plugs	<b>Temperature range</b>	-10 °C to +80 °C <i>(not suitable for autoclave sterilisation)</i>
<b>Switch connection</b>	Integral 8 strip terminal block	<b>Pneumatic Control</b>	5/2 or 3/2 control block
<b>Switch options</b>	V3 Mechanical switch  V3 Inductive proximity sensor (NAMUR)  Explosion proof switches <i>(for further switch options, please contact Saunders)</i>	<b>Solenoid voltage</b>	24V DC 24V AC 110/120V AC 220/240V AC 24V DC (I.S.)
		<b>Options</b>	Intrinsically safe EEx ia IIC T6  Explosion proof EE xd IIC T6