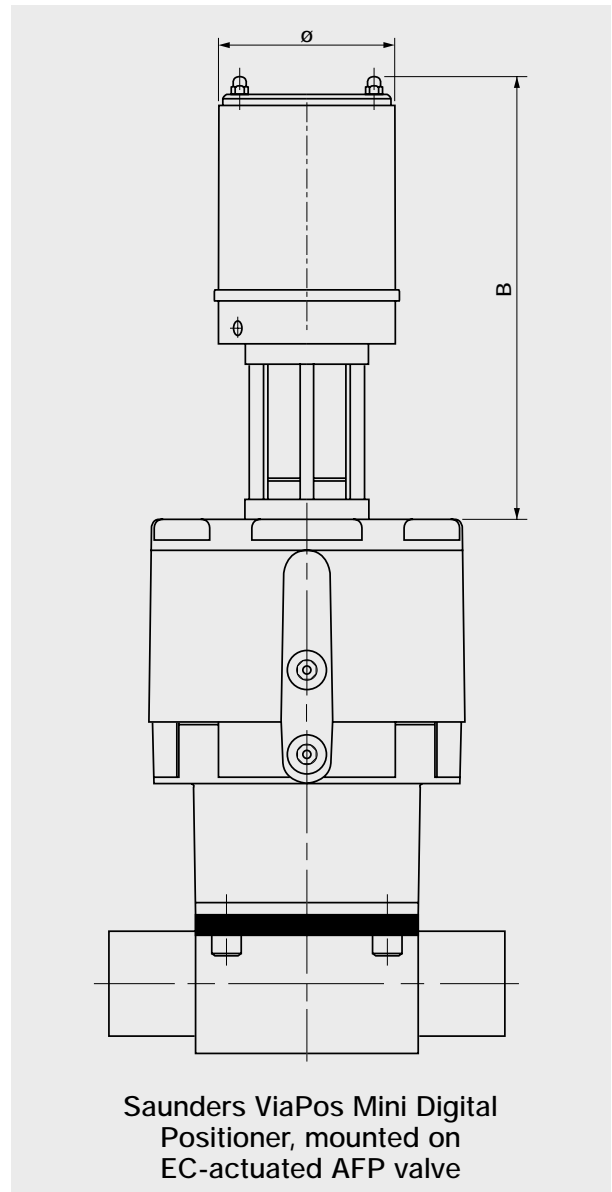


ViaPos Mini Digital Positioner

Actuation & Control

Technical Specification

Suitable for	EC spring close actuators EC spring open actuators
Size Range	Type A & AFP : DN8-50
Type	Electropneumatic (Digital)
Power Supply	24V DC
Control Signal	4-20mA 0-10V (split range option)
Supply Pressure	4-6 bar
Air connections	1/8" BSP
Conduit Entry	PG7 gland
Hysteresis	<1%
Sensitivity of Response	0.5%
IP Rating	IP65
Temperature Range	-10 °C to 80 °C
Weight	1.2 kg



Valve Size	Ø	B
DN8-DN25	88	187
DN40-DN50	88	207

6/ACT/EC14/UK/Rev1