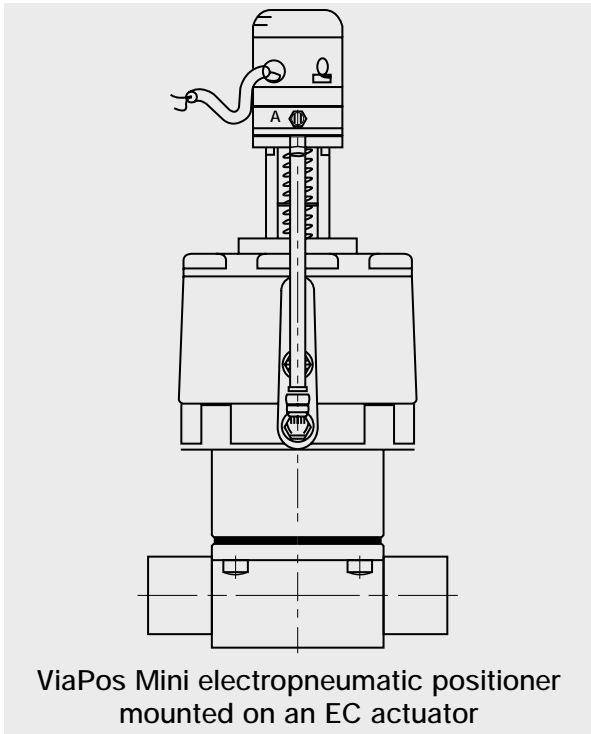
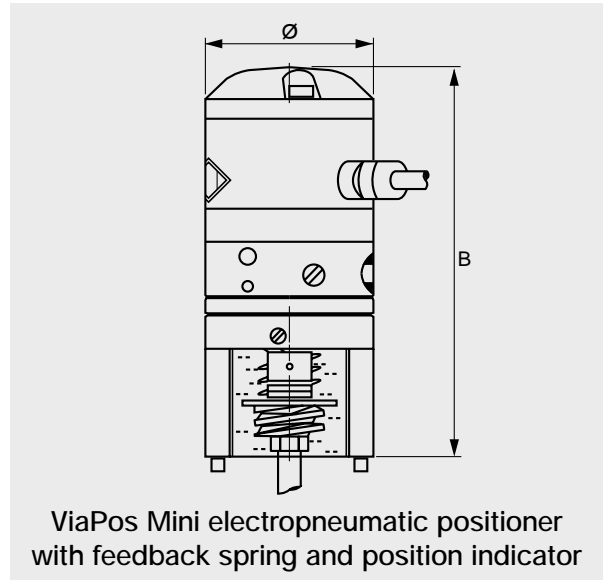


ViaPos Mini Electropneumatic Positioner

Actuation & Control



ViaPos Mini electropneumatic positioner mounted on an EC actuator



ViaPos Mini electropneumatic positioner with feedback spring and position indicator

	ø (mm)	B (mm)
DN08-25	60	155
DN40-50	80	175

6/ACT/EC10/UK/Rev1

Technical Specification			
Suitable for	EC spring close actuators standard and light spring	Hysteresis	≤1.5%
Size Range	Type AFP & A: DN8 – DN50	Sensitivity of response	≤0.15%
Type	Electropneumatic	Air consumption	400-600 l/hr depending on supply pressure
Control Signal	4–20 mA 0–20 mA	IP rating	IP54
Air connections	1/8" BSP 1/8" NPT	Temperature range	-10°C to +60°C -14°F to 140°F
Conduit entry	PG 7 gland	Material of construction	Chrome plated brass I/P converter: anodised aluminium/POM
Weight	1.3kg (2.8lbs)	Add-ons	Inductive proximity sensors
Supply Pressure	3–6 bar (43.5–87 psi)	Options	Intrinsically safe EEx ib IIC T6

Crane Process Flow Technologies Ltd
 Grange Road, Cwmbran, Gwent, U.K. NP44 3XX
 Tel: +44 1633 486666
 Fax: +44 1633 486777
 www.craneflow.com



Printed in the UK.

Due to constant product improvements, details shown on this data sheet are subject to change.