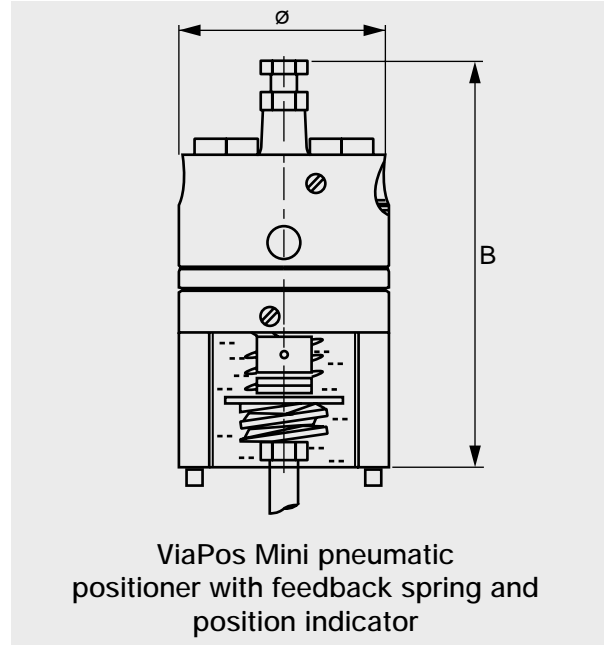
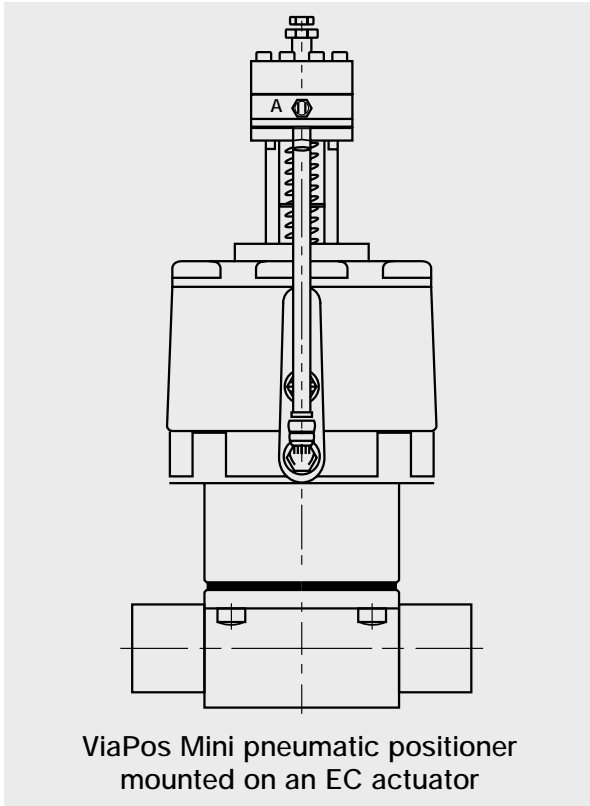


ViaPos Mini Pneumatic Positioner

Actuation & Control



	ø (mm)	B (mm)
DN08-25	60	123
DN40-50	80	143

6/ACT/EC09/UK/Rev1

Technical Specification

Suitable for	EC spring close actuators standard and light spring	Hysteresis	≤1.5%
Size Range	Type A & AFP: DN8–DN50	Sensitivity of response	≤0.15%
Type	Pneumatic	Air consumption	400–600 l/hr depending on output pressure
Control Signal	0.2–1 bar (3–15 psi)	IP rating	IP54
Air connections	1/8" BSP 1/8" NPT	Temperature range	-10°C to +60°C (-14°F to 140°F)
Supply Pressure	3–6 bar (43.5–87 psi)	Material of construction	Chrome plated brass
Add-ons	Inductive proximity sensors	Weight	1.0kg (2.2lbs)

Crane Process Flow Technologies Ltd
Grange Road, Cwmbran, Gwent, U.K. NP44 3XX
Tel: +44 1633 486666
Fax: +44 1633 486777
www.craneflow.com

Printed in the UK.

Due to constant product improvements, details shown on this data sheet are subject to change.

CRANE