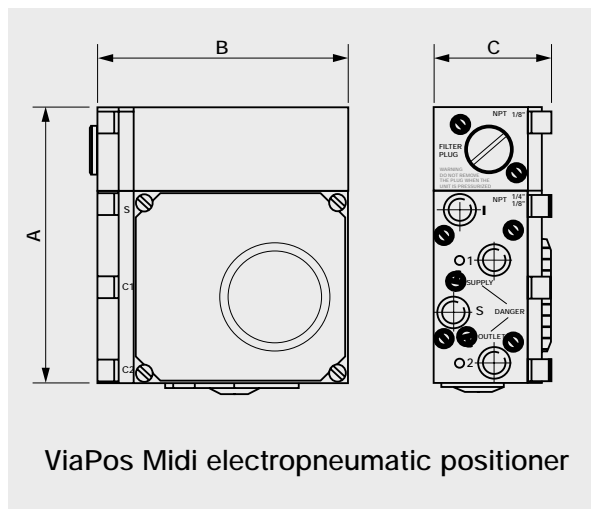
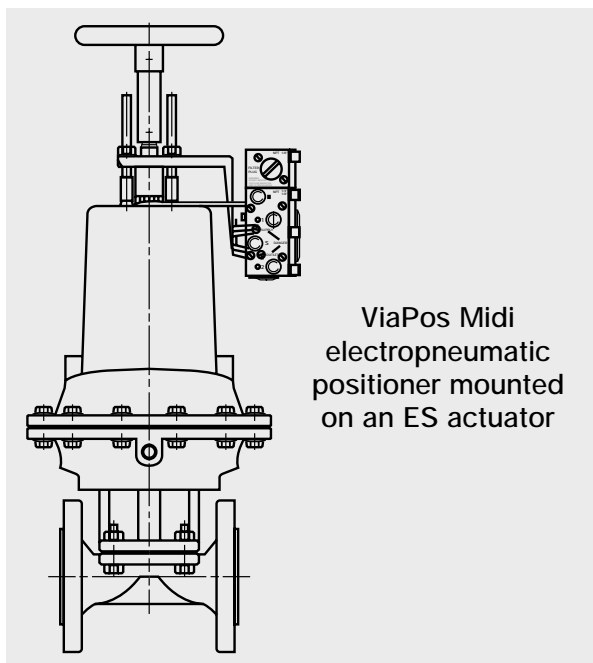


ViaPos Midi Electropneumatic Positioner

Actuation & Control



6/ACT/ES12/UK/Rev1

	A	B	C
Length (mm)	144	128	59

Technical Specification

Suitable for	A and KB type ES actuators (Spring close, spring open and double acting modes.)	Hysteresis	≤0.5%
Size Range	Type A: DN8–DN250 (double acting DN200) Type KB: DN25–DN200	Sensitivity of response	≤0.15%
Type	Electropneumatic	Air consumption	366–2340 l/hr depending on supply pressure
Control Signal	4–20 mA	IP rating	IP66/NEMA 4
Air connections	1/4" BSP 1/4" NPT	Temperature range	-20°C to +85°C (-4°F to 185°F)
Gauge connections	1/8" BSP 1/8" NPT	Material of construction	Die cast Aluminium with epoxy paint
Conduit entry	M20 or 1/2" NPT	Add-ons	Gauges/Feedback unit
Weight	1.5kg (3.4lbs)	Characterisable cams	Linear/Quick opening/ Equal percentage
Supply Pressure	2–10 bar (29–145 psi)	Options	Intrinsically safe EEx ia IIC T4-T6 Flameproof EEx d IIC T4-T6

Crane Process Flow Technologies Ltd
Grange Road, Cwmbran, Gwent, U.K. NP44 3XX
Tel: +44 1633 486666
Fax: +44 1633 486777
www.craneflow.com

Printed in the UK.

Due to constant product improvements, details shown on this data sheet are subject to change.

CRANE