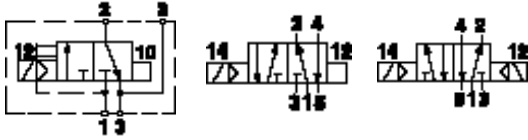


Herion 26230, 80107 NAMUR Series

Indirectly solenoid actuated spool valves

6 mm orifice (ND)

3/2, 5/2, NC, G¼



- For single and double operated actuators
- Standard manual override with detent
- Compact design
- High flow rate
- Simple design of soft spool seal system
- Maintenance-free
- Easily interchangeable solenoid system
- Exhaust air recirculation

Technical data

Medium:

Compressed air, filtered, lubricated and non-lubricated

Operating pressure:

2 to 8 bar

Flow direction:

Fixed

Mounting position:

Optional, preferably with solenoid on top

Ambient temperature:

-10°C to 50 °C

For temperatures below 0°C use conditioned dry air. If installed outdoors protect all connections against the penetration of moisture

Consult our Technical Service for use below +2°C

Electrical connection:

Connector interface to DIN 43650 form A and B

Materials

Housing: aluminium

Pilot flange: plastic

Seat seal: NBR (Perbunan)

| Port size | Function | Actuation | Orifice (mm) | Operating pressure (bar) | kv value (m³/h)* | kg | Drawing no. | Model | |
|-----------|----------|-----------|--------------|--------------------------|------------------|-----|-------------|-------|------------------|
| 1, 3, (5) | 2 (4) | | | | | | | | |
| G 1/4 | Flange | 3/2 | Solenoid | 6 | 2 ... 8 | 1,2 | 0,4 | 1 | 8010777xxxx***** |
| G 1/4 | Flange | 5/2 | Solenoid | 6 | 2 ... 8 | 1,2 | 0,55 | 2 | 2623077xxxx***** |
| G 1/4 | Flange | 5/2 | 2 x Solenoid | 6 | 2 ... 8 | 1,2 | 0,9 | 3 | 2623177xxxx***** |
| G 1/4 | Flange | 3/2, 5/2 | Solenoid | 6 | 2 ... 8 | 1,2 | 0,4 | 4 | 2623079xxxx***** |
| G 1/4 | Flange | 3/2, 5/2 | 2 x Solenoid | 6 | 2 ... 8 | 1,2 | 0,9 | 5 | 2623179xxxx***** |

xxxx Insert solenoid codes from table below. ***** Insert voltage codes from table below

* Cv (US) ≈ kv x 1,2

Port 3 not throttleable

Options selector

8010777 ★★★★★★
2623XXX ★★★★★★

| Solenoid | Voltage | Substitute |
|---------------------|------------|------------|
| See solenoid tables | 24 V d.c. | 02400 |
| | 230 V a.c. | 23050 |
| | 110 V a.c. | 11050 |
| | 230 V a.c. | 23050 |

Other voltages on request

Accessories

| Silencer | Connectors | Flange plate | Yoke |
|------------------|----------------------------------|--------------------------------------------------------------------------------------------------|---------|
| | | | |
| 0014600 (G1/4) * | 0570275 Form A 0680003 Form B | 0612790 NAMUR single connection plate 0612791 NAMUR-rip use in combination with 0612790 (Alu) | 0540593 |

* For indoor use

Herion 26230, 80107 NAMUR Series

Indirectly solenoid actuated spool valves

6 mm orifice (ND)

3/2, 5/2, NC, G $\frac{1}{4}$

Solenoid actuators

| | Power consumption | | Voltage | | Protection category | Protection class | Temperatures Ambient/fluid °C | Electrical connection | kg | Solenoid drawing no.# | Circuit diagram no.# | Model |
|--|-------------------|-----------------|----------------|-----------------|---------------------|------------------------|-------------------------------|----------------------------------------|-------|-----------------------|----------------------|--------------------|
| | 24 V d.c. (W) | 230 V a.c. (VA) | 24 V d.c. (mA) | 230 V a.c. (mA) | | | | | | | | |
| | 1,7 | - | - | - | - | IP 65 (with connector) | -40 ... +50 | DIN EN 175301-803 Form B ⁴⁾ | 0,054 | 32 | 1 | 3050 |
| | 1,6 | 3,5 | 30 | - | - | IP 65 (with connector) | -40 ... +50 | DIN EN 175301-803 Form A ⁴⁾ | 0,090 | 33 | 1 | 3036 ²⁾ |
| | 2,7 | - | 115 | - | II2G | EEx m II T5 | -20 ... +50 | Connector with 3 m cable | 0,300 | 34 | 1 | 3062 ³⁾ |
| | - | 2,1 | - | 9 | II2G | EEx m II T5 | -20 ... +50 | Connector with 3 m cable | 0,300 | 34 | 8 | 3063 ³⁾ |
| | 2,7 | - | 115 | - | - | IP 66 Connection M12x1 | -10 ... +50 | DIN EN 60947-5-2 | 0,110 | 35 | 8 | 3071 |

Standard voltages 24 V d.c., 230 V a.c. Other voltages on request. Design acc. to VDE 0580, EN 50014/50028. 100% duty cycle.

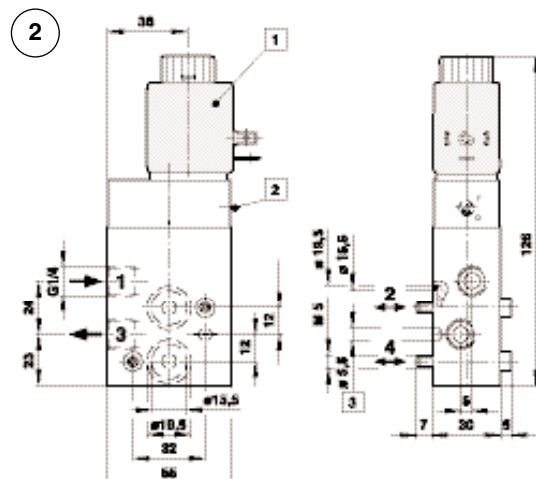
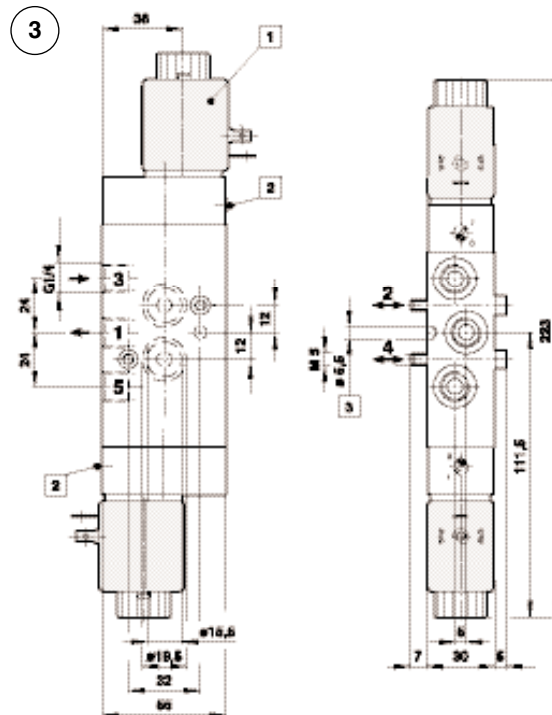
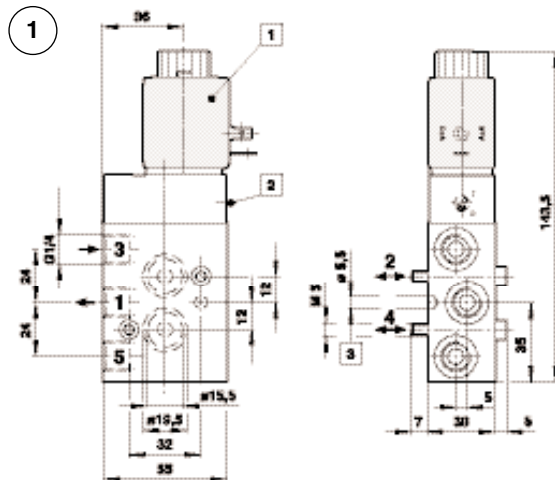
Valves can only be operated with d.c. solenoids

2) Connector required, see page 154

3) Certificate of Conformity PTB No. PTB 03 ATEX 2015 X

4) Connector not supplied, see 'Accessories' table

For solenoid dimensional drawings and circuit diagrams, see page 157

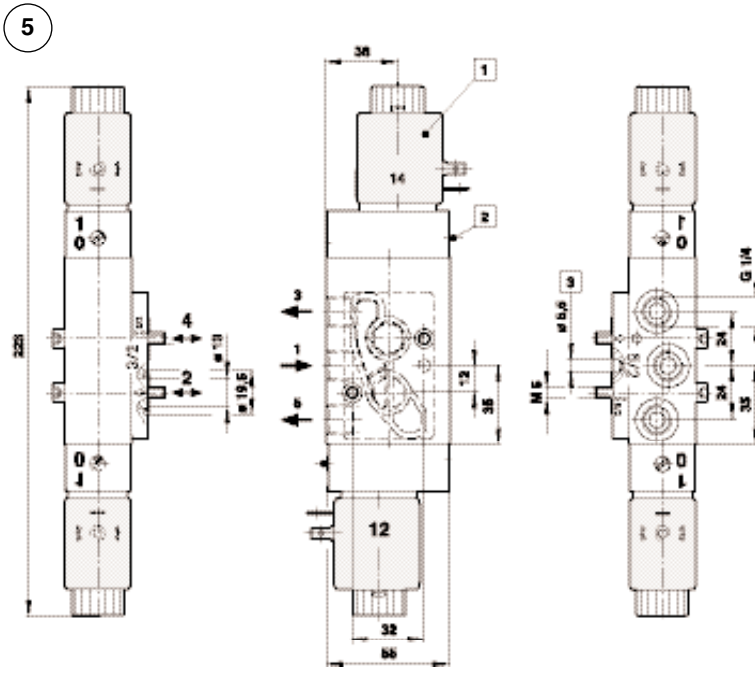
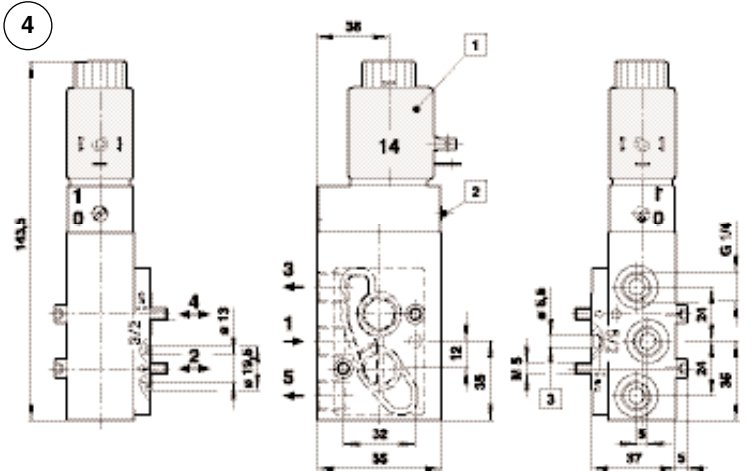


Herion 26230, 80107 NAMUR Series

Indirectly solenoid actuated spool valves

6 mm orifice (ND)

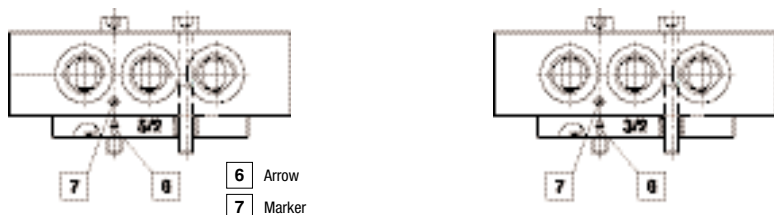
3/2, 5/2, NC, G 1/4



Conversion instructions for 5/2 to 3/2 way function

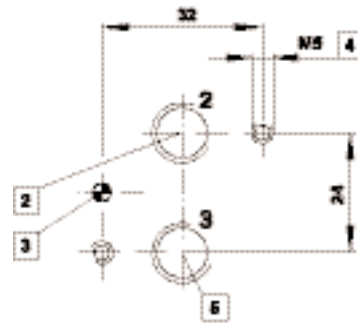
5/2 way function (original mode of supply)

3/2 way function



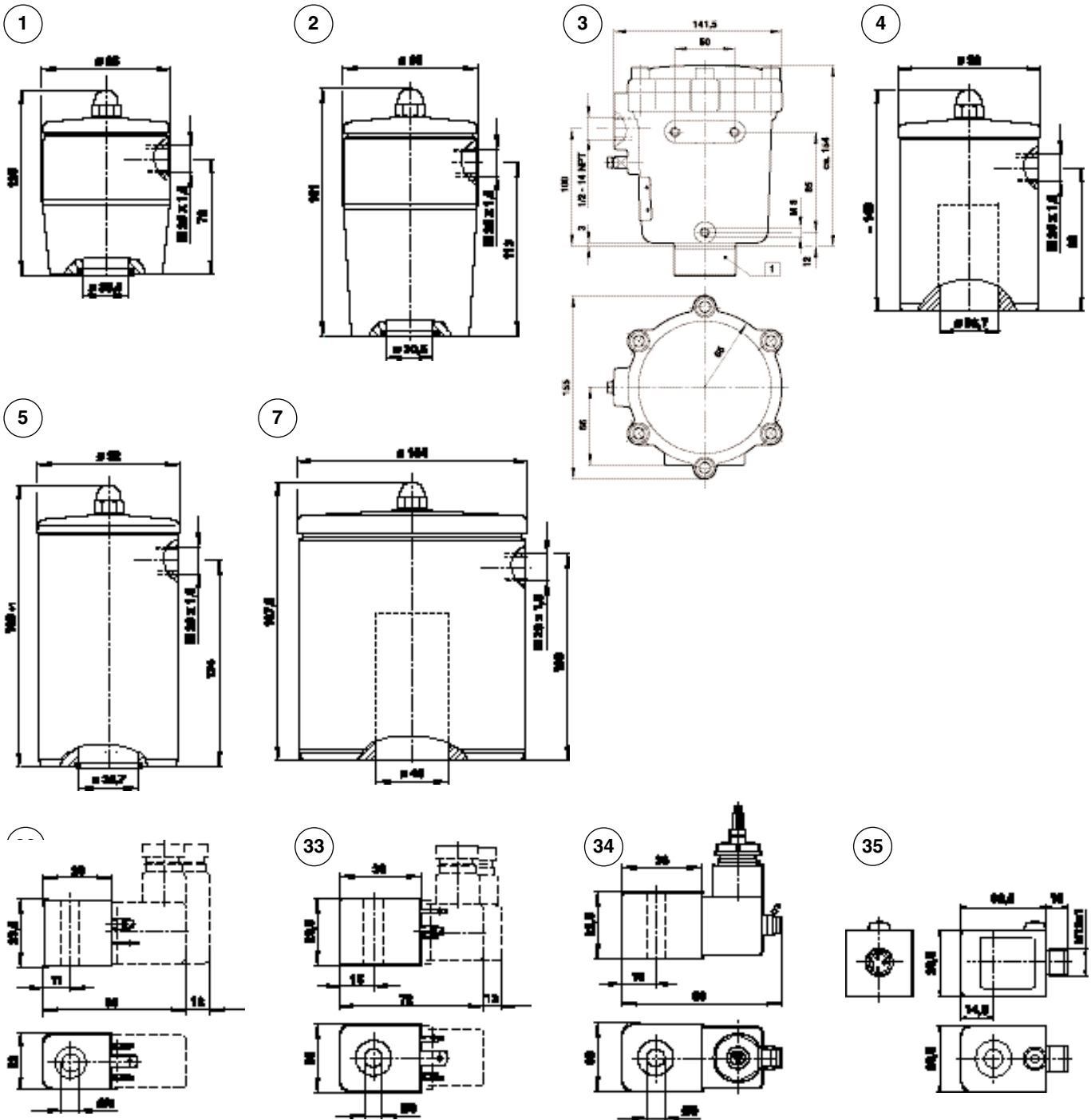
3/2- way function can be achieved by swapping enclosed adaptor plates. Make sure marker and arrow match as shown on drawing above.
Original mode of supply: 5/2 way function

NAMUR hole pattern



- 2 Port 2 (A)
- 3 Coding stud threaded
- 4 M5 (10 deep)
- 5 Port 3 (R)

Solenoid dimensional drawings



Circuit diagrams

