



figure

407

ends
formwafer type
straight

CHECK VALVE



body material	nominal pressure	nominal diameter	max. temperature
A grey cast iron	C 16 bar	DN 40-300	100°C
	B 10 bar	DN 350-600	
I stainless steel	C 16 bar	DN 40-300	100°C
	B 10 bar	DN 350-600	

FEATURES

- compact settlement
- environment-friendly
- no maintenance

APPLICATION

- hot and cold water plants
- low-pressure steam plants
- oil plants
- chemical plants
- food plants

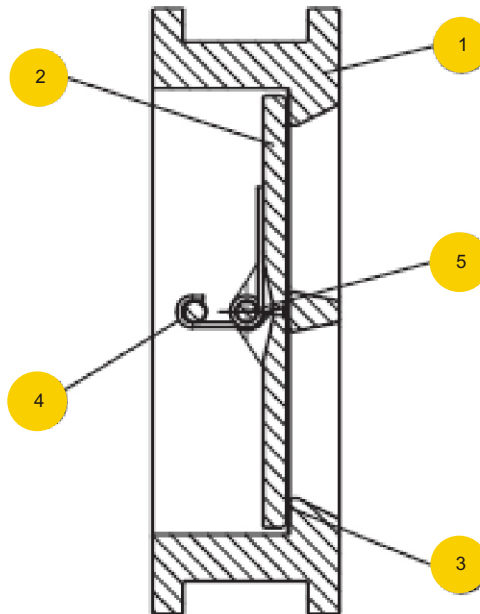
Data given can be changed without notice.

Edition 09/2013



figure	407
ends form	wafer type straight

MATERIALS



	body material	A	I
	type	54	57
1	body	EN-GJL-250 5.1301(ex.JL1040)	X5CrNi18-10
2	plate	X5CrNi18-10	X5CrNi18-10
3	seal	EPDM	VITON
4	spring	X5CrNi18-10	X5CrNi18-10
	max. temperature	100°C	100°C

Data given can be changed without notice.

Edition 09/2013



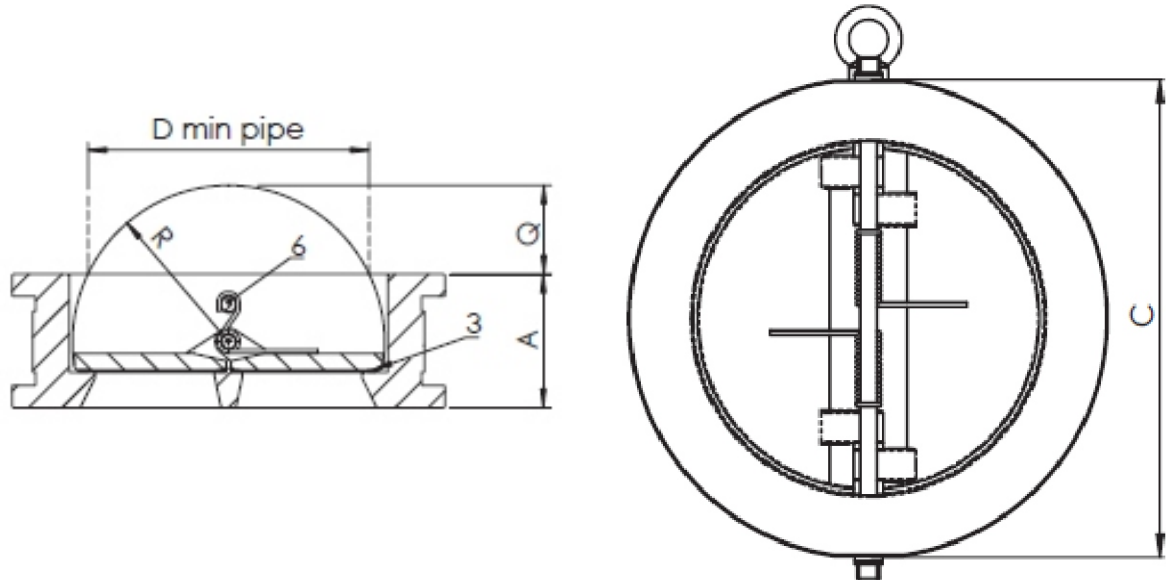
figure

407

ends
form

wafer type
straight

DIMENSIONS



DN	D min pipe	A	C	R	Q	Kv	
mm	mm					m ³ /h	kg
40	36	43	91	25,8	6,8	34	1,2
50	42	43	107	27	8,6	34	1,5
65	60	46	127	35	15,2	54	2,4
80	66	64	142	42	14,3	95	3,6
100	86	64	162	50	22,3	200	5,7
125	115	70	192	64	33,7	320	7,3
150	143	76	218	77	45,4	467	9,0
200	197	89	273	102,5	69,6	990	17,0
250	231	114	328	125	74,5	1584	26,0
300	281	114	378	146	102,7	2783	42
350	330	127	437	170	124,7	3689	55
400	378	140	488	195	142,7	5900	75
450	416	152	539	215	156,8	7825	101
500	464	152	594	238	179,7	11 400	111
600	567	178	695	292	217,4	20 030	172

Data given can be changed without notice.

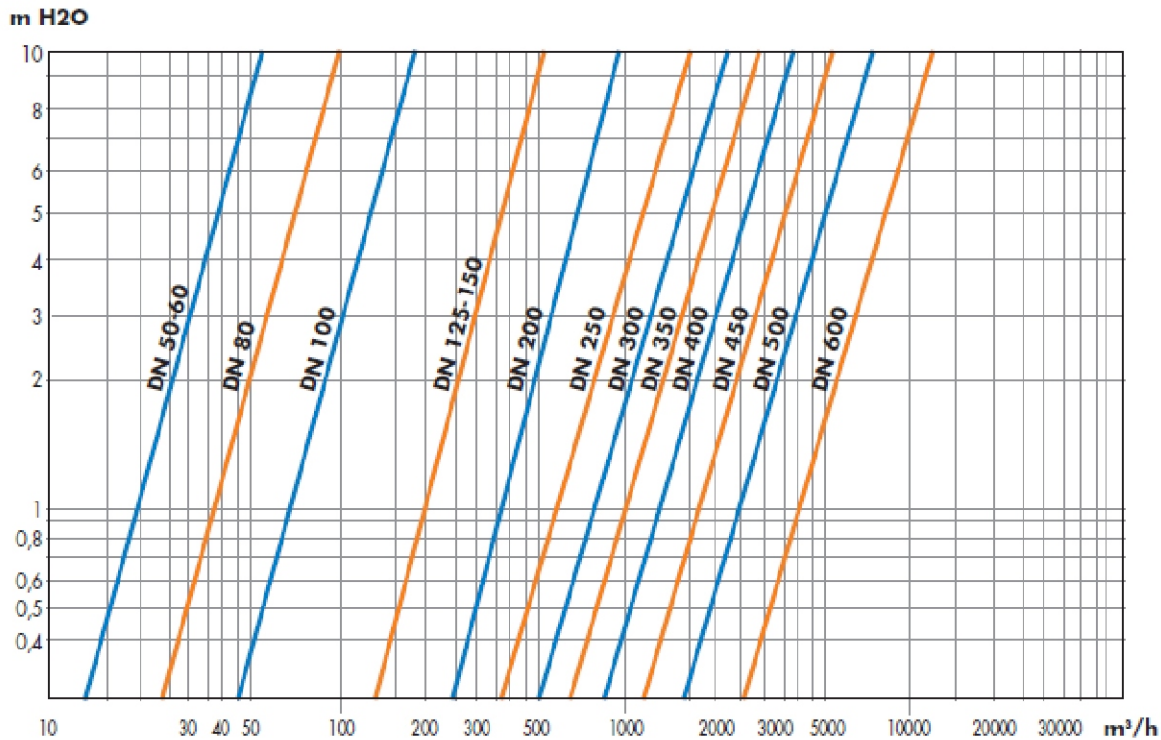
Edition 09/2013



figure **407**
ends form wafer type
form straight



HYDRAULIC CHARACTERISTICS



Data given can be changed without notice.

Edition 09/2013



figure	407
ends form	wafer type straight

TYPES

figure	body material	nominal diameter DN	nominal pressure PN	type
407	A grey cast iron EN-GJL-250	40-300 mm	C 16bar	54 * disc and spring - stainless steel * seat ring- EPDM Tmax 100 °C
		350-600 mm	B 10bar	54 * disc and spring - stainless steel * seat ring- EPDM Tmax 100 °C
	I stainless steel X5CrNi18 9	40-300 mm	C 16bar	57 * disc, spring and seat ring- stainless steel * seat ring- VITON Tmax 100 °C
		350-600 mm	B 10bar	57 * disc, spring and seat ring- stainless steel * seat ring- VITON Tmax 100 °C

ORDERING

To place an order please use our product number (index)



ORDER EXAMPLE

