

# Level Switches

**UNS2000**

The multi Level Switch Series UNS2000 can be supplied with up to 6 switchpoints (see max. switchpoints) and with a length of max 3000 mm.

Besides the float operated reed contacts to detect liquid levels, the UNS 2000 can be supplied also with a temperature sensor and/ or temperature contact(s), which are to handle as switchpoint(s) - please note max. switchpoints! A wide selection of mounting elements, electrical connections, various materials and options allow you to "design" your own switch, within the given dimension limits, for your particular application. Very long units or large flanges can cause high shipping and installation costs and "split" versions might be the answer. Consult us for the best combination. The min. dimensions are based upon the medium water.

Depending on the density of other fluids this dimension can vary several millimetres. The contact modes (NO or NC) are defined on the basis of an empty tank and for installation through the top or through the bottom (when specified as "-U"). When not specified otherwise we will set the switch position for density 1 (water) and the switch action to be on moving upward. Temperature sensor (PT100) and/ or the temperature switch, a Bi-metall hermetically sealed element, are installed only in the bottom of the stem.

That means:

Dimensions B + 10 mm with temperature sensor PT100) = B<sub>PT</sub>

Dimensions B + 40 mm temperature switch (TP) = B<sub>TP</sub>



## Technical Data

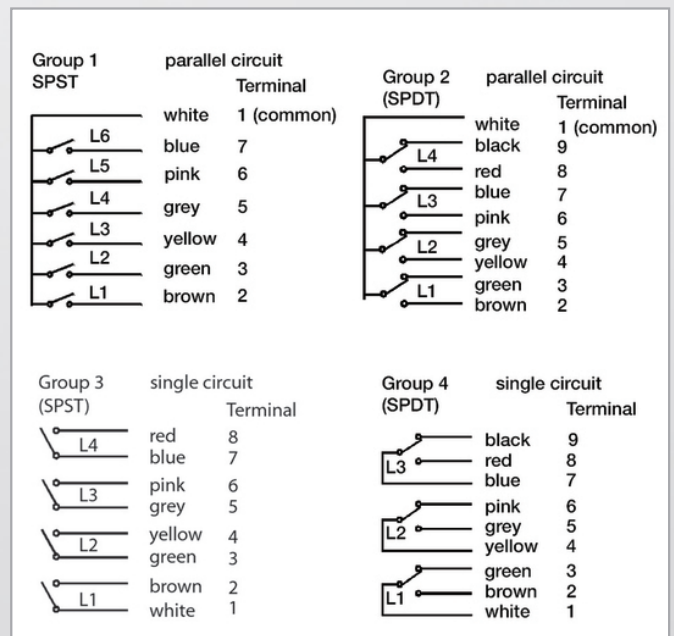
<b>Max. Operating Pressure:</b>	40 bar, depends on mounting element and float
<b>Max. Temperature Range:</b>	-10 °C...+105 °C, PVC-cable -40 °C...+150 °C, Silicone cab.(-HT) and KL6 / KL12
<b>Min. Fluid Specific Gravity:</b>	See specifications below
<b>Mounting Position:</b>	Vertical, ±30°, through top or bottom
<b>Protection Class:</b>	IP65 for ST-, KL- and PG-design, IP67, IP68 on request IP54 for K-design
<b>Weight:</b>	Depends on length and design
<b>Options:</b>	See order code

## Max. Switchpoints

	KL6	KL12	ST1	ST2	Pg Cable connect.
Connect. group 1	5	6	2	5	6
Connect. group 2	2	4	1	2	4
Connect. group 3	3	4	1	3	4
Connect. group 4	2	3	1	2	3

(not valid for "HT" option)

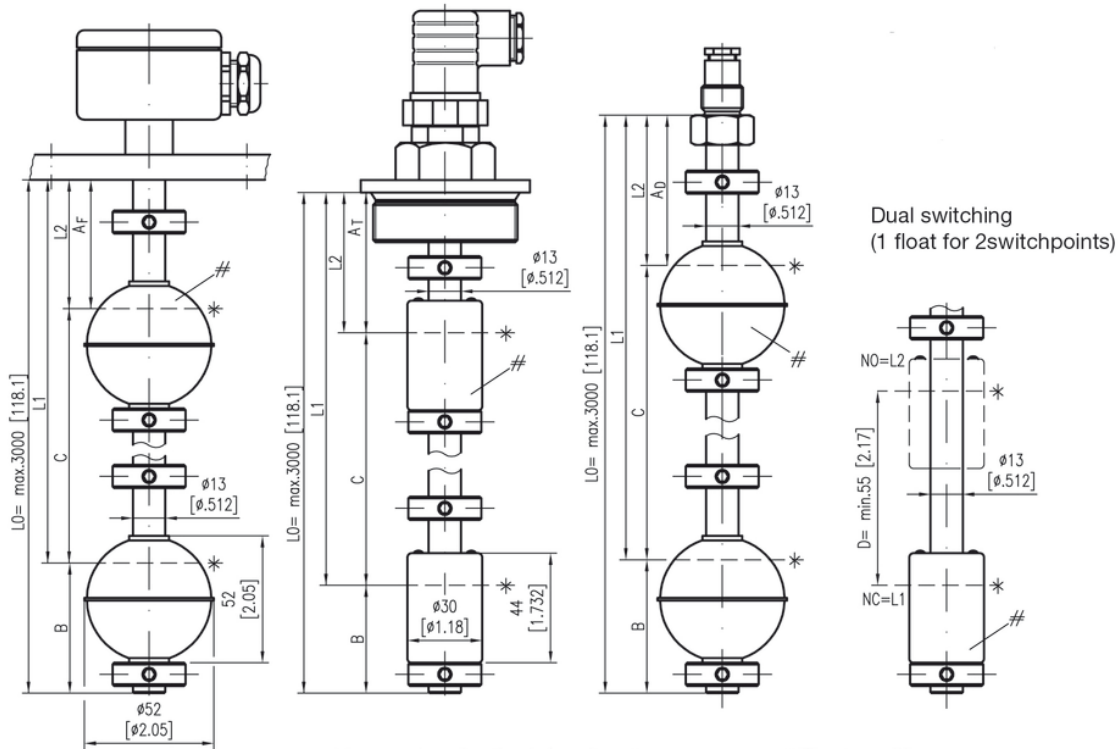
## Contact Wiring



## Level Switches

**UNS2000**

### Dimensions (mm / inch)



L0 = max. 3000 mm  
**For NPT thread tank fittings all lengths from bottom edge.**

\* Immersion depth at density 1:  
 VA52 = 36 ± 2 mm  
 BN30 = 20 ± 2 mm  
 VA44 = 36 ± 2 mm (52 mm high)  
 VA80 = 36 ± 2 mm (80 mm high)

# Float position  
 VA52 = NO/NO ⇨ see float marking  
 WE ⇨ NO-function  
 BN30 = NO ⇨ compound points at bottom  
 NC ⇨ compound points at top  
 WE ⇨ compound points at bottom

### Switch Point Dimensions

Dimensions	Min. distances in mm								
Float type	A F	AT	A D	B	BPT	BTP	BDR	C	D
VA52, VA44	32	52	44	55	65	95	75	85	55
BN30	30	60	52	39	49	79	59	77	55
VA80	63	83	75	60	70	100	80	115	55

BPT = first switch point with option PT100 (mounting on bottom)  
 BTP = first switch point with option TPxx/2 (mounting on bottom)

# Level Switches

# UNS2000

## Brass Version

## Order Code

Type:

UNS2000

**Material of Stem and Mounting Element:**

MS = Brass, CW614N / CW508L (former Ms58 / Ms63)

**Mounting Element (other on request)**

3/8 - G3/8" mounting thread for inside mounting: only with PG

T1 - G1" Tank screw (only with BN18 float)

T2 - G2" Tank screw (not with VA80 float)

T2NPT - 2"NPT-Tank screw (not with VA80 float)

**Electrical Connection (see table max. Switchpoints)\***

ST1 - Cube Plug DIN EN 175301-803-A (former DIN 43650), 3-pin + ground, IP65 with mating plug

ST2 - Angle Plug DIN 43651, 6-pin + ground, IP54 with mating plug

M12x1 - M12x1 mm plug, 4-pin, IP65 without mating plug

KL6 - Aluminum Terminal Box, 6 terminals, IP65

KL12 - Aluminum Terminal Box, 9 terminals, IP65

PG - Cable Gland with 1 m PVC-cable, -HT with silicon cable, other length on request, IP65

K - PVC-Cable sealed, specify length at order, IP67

KX4 - Aluminium Terminal Box, 4 terminals, ATEX Ex ia approved, IP67

KX8 - Aluminium Terminal Box, 8 terminals, ATEX Ex ia approved, IP67

Float type	min.Density Medium	Material	Form	Dia- meter	max.Temp.	max. Pressure (+20 °C)
BN30	0,6 g/cm <sup>3</sup>	Buna N	Cylinder	30 mm	100°C (oil) (80°C (water))	15 bar

**Number of Switchpoints**

L1 = 1 Switchpoint

L2 = 2 Switchpoint

L3 = 3 Switchpoint

L4 = 4 Switchpoint

L5 = 5 Switchpoint

L6 = 6 Switchpoint

See also "Connections Groups" in table  
"Max. Switchpoints"
**Contact Modes**
**Contact Rating**

Order:L1, L2, L3, L4, L5, L6

1 - SPST (NO) 250 V AC / DC, 3 A, 100 VA / W

2 - SPST (NC) 250 V AC / DC, 3 A, 100 VA / W

3 - SPDT (WE) 140 V AC, 100 V / DC, 1 A, 60 VA / W

Total Length: L0 = ...mm (max. 3000 mm)

Specify with your order: L1 = ...mm, L2 = ...mm, etc

Basic: empty tank

UNS2000 - MS/ T2 -KL6 -BN30 -L2/ 2.1 (Example)

**Options:**

U = Mounting through bottom

HT = High Temperature Application (-40 °C...+150 °C), cable and wires in silicone

DR = Damping Tube

VV = Vertical Adjustment (max. 5bar)

PT100 = Pt100-Sensor

TPxx/2 = Temperature Switch TP, Contact Rating: 3A, 12 or 24 V DC

xx = Standard: +50 °C, +60 °C, +70 °C, +80 °C, +90 °C

/2 = NC

Exi = ATEX Ex ia (intrinsically safe) Approval, see www.barksdale.de

\* Others electrical connections upon request

Needed order information e.g.:

L0 = 200 mm

L1 = 150 mm NC

L2 = 85 mm NO

Connection group: 3

(see table "max. Switching point/Connection code")

### VA Version Order Code

**Type:**

UNS2000

**Material of Stem and Mounting Element:**

VA = stainless steel 1.4571 (316 Ti)

**Mounting Element (other on request)**

- 3/8 - G3/8" mounting thread for inside mounting: only with PG
- T1 - G1" Tank screw (only with BN30 float)
- T2 - G2" Tank screw (not with VA80 float)
- FL4 - Flange DIN 2527, DN 65/PN16 (not with VA80 float)
- FL5 - Flange DIN 2527, DN 80/PN16
- FL6 - Flange DIN 2527, DN 100/PN16
- FLA3 - Flange ASME 16.5, 2" 150lbs, RF (not with VA80)
- FLA5 - Flange ASME 16.5, 3" 150lbs, RF (not with VA80)
- FLA6 - Flange ASME 16.5, 4" 150lbs, RF
- T2NPT - 2"NPT-Tank screw (not with VA80 float)

**Electrical Connection (see table max. Switchpoints)\***

- ST1 - Cube Plug DIN EN 175301-803-A (former DIN 43650), 3-pin + ground, IP65 with mating plug
- ST2 - Angle Plug DIN 43651, 6-pin + ground, IP54 with mating plug
- M12x1 - M12x1 mm plug, 4-pin, IP65 without mating plug
- KL6 - Aluminum Terminal Box, 6 terminals, IP65
- KL12 - Aluminum Terminal Box, 9 terminals, IP65
- PG - Cable Gland with 1 m PVC-cable, -HT with silicon cable, other length on request, IP65
- K - PVC-Cable sealed, specify length at order, IP54
- KX4 - Aluminium Terminal Box, 4 terminals, ATEX Ex ia approved, IP67
- KX8 - Aluminium Terminal Box, 8 terminals, ATEX Ex ia approved, IP67

Float type	min.Density Medium	Material	Form	Dia-meter	max. Temp.	max. Pressure (+20 °C)
VA44	0,84 g/cm3	Stainl. Steel 1.4571	Cylinder	44 mm	150 °C	15 bar
VA52	0,78 g/cm3	Stainl. Steel 1.4571	Ball	52 mm	150 °C	40 bar
VA80	0,54 g/cm3	Stainl. Steel 1.4571	Ball	80 mm	150 °C	17 bar

**Number of Switchpoints**

- L1 = 1 Switchpoint
  - L2 = 2 Switchpoint
  - L3 = 3 Switchpoint
  - L4 = 4 Switchpoint
  - L5 = 5 Switchpoint
  - L6 = 6 Switchpoint
- See also "Connections Groups" in table "Max. Switchpoints"

Contact Modes	Contact Rating	Order:L1, L2, L3, L4, L5, L6
1 - SPST (NO)	250 V AC / DC, 3 A, 100 VA / W	Basic: empty tank
2 - SPST (NC)	250 V AC / DC, 3 A, 100 VA / W	
3 - SPDT (WE)	140 V AC, 100 V / DC, 1 A, 60 VA / W	
Total Length: L0 = ...mm (max. 3000 mm)		
Specify with your order: L1 = ...mm, L2 = ...mm, etc		

UNS2000 - VA/ T2 -KL6 -VA52 -L2/ 2.1 (Example)

**Options:**

- U = Mounting through bottom
- HT = High Temperature Application (-40 °C...+150 °C), cable and wires in silicone
- DR = Damping Tube
- VV = Vertical Adjustment (max. 5bar)
- PT100 = Pt100-Sensor
- TPxx/2 = Temperature Switch TP, Contact Rating: 3A, 12 or 24 V DC  
xx = Standard: +50 °C, +60 °C, +70 °C, +80 °C, +90 °C  
/2 = NC
- Exi = ATEX Ex ia (intrinsically safe) Approval, see www.barksdale.de

**Needed order information e.g.:**

- L0 = 200 mm
- L1 = 150 mm NC
- L2 = 85 mm NO
- Connection group: 3  
(see table "max. Switching point/Connection code")

\* Others electrical connections upon request